

STORMRED



ROCKET

User Manual - Uživatelský manuál -
Používateľská príručka - Használati utasítás -
Benutzerhandbuch

English	3 - 22
Czech	23 - 42
Slovak	43 - 62
Hungarian	63 - 82

The product user manual contains the product functions, instructions for use and operating procedure. Read the user manual carefully to get the best experience and avoid unnecessary damage. Keep this manual for future reference. If you have any questions or comments about the equipment, please contact the customer service line.

✉ www.alza.co.uk/kontakt

☎ +44 (0)203 514 4411

Importer Alza.cz a.s., Jankovcova 1522/53, Holešovice, 170 00 Prague 7, www.alza.cz

Dear Customers,

Thank you for purchasing our product. This treadmill will help you meet your goal of being in good physical condition and developing your muscles properly within your home environment.

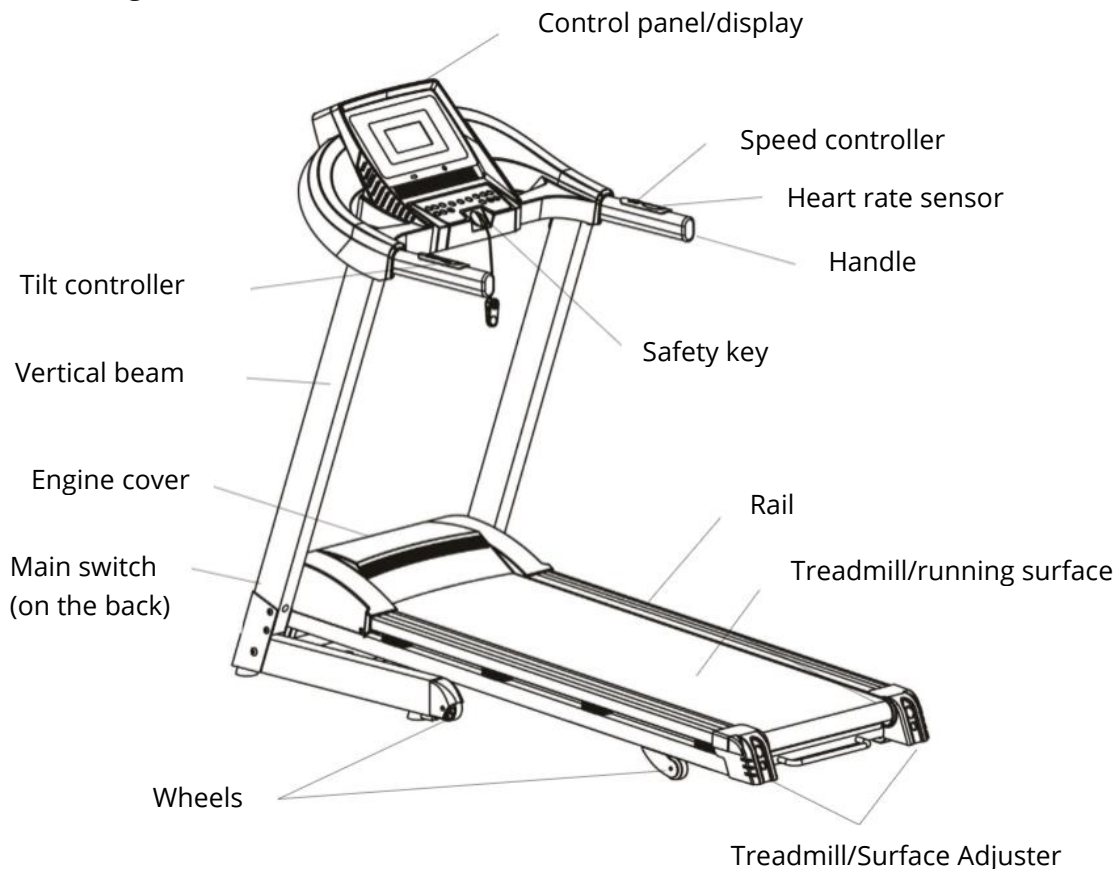
Please read the assembly and operating instructions carefully before putting the treadmill into operation, even if you have purchased the machine already assembled.

If you have purchased the machine in its original carton packaging, i.e. in disassembled shipping condition, please pay attention to the assembly instructions. Before starting the assembly, carefully remove the individual components from the box, check them for completeness/damage and follow the instructions for assembly.

We believe that you will be satisfied with the purchased product and the machine will contribute to strengthening your health. We wish you much success, endurance and strength in achieving your sporting goals.

Brief description - technical parameters

TM-9030 motorized treadmill with a clear control panel and display showing data on the progress of the exercise. Speed range 1-18 km/h, 15 incline levels, heart rate sensors and speed and incline controls on the handles. Use folding mechanism to save space when storing.



Treadmill class H according to EN ISO 20957-1, i.e. for home use only. The machine is not intended for commercial use and higher performance loads. The machine cannot be used as a therapeutic or rehabilitation device. Accuracy class C (low).

Display functions: speed, time, distance, heart rate, calories, incline

Display type:	LCD 5"
Input voltage:	220-240 V
Frequency:	50/60 Hz
Power input:	1 500 W
Input current:	16 A (single pole C circuit breaker)
Engine power:	2 HP
Operating temperature:	0-40 °C
Speed display range:	1.0-18.0 km/h
Incline levels:	15 - electronic settings
Time display range:	0:00-99:59 (minutes: seconds)
Range of distance display:	0.0-99.9 km
Heart rate display range:	50-200 beats/min
Calorie display range:	0-999
Maximum load capacity:	130 kg
Machine dimensions (l × w × h):	1560 × 700 × 1210 mm
Machine weight:	53 kg

Safety rules

1. Insert the plug directly into the socket, do not use an extension cord or splitter.
2. The machine can be in continuous operation for a maximum of 2 hours.
3. Place the machine on a firm, level and clean surface and make sure it is stable. It is recommended to put some kind of protective layer/pad under the belt to prevent possible damage to the floor. **Do not use the machine:**
 - a) outdoors (the device is specifically designed for indoor use),
 - b) on uneven surfaces,
 - c) in direct sunlight or near a heat source,
 - d) in damp or wet environments,
 - e) in an enclosed space where air does not circulate (unventilated rooms) or in an area with a flammable liquid or gas.
4. Leave a clear area of at least 0.6 m around the machine in the direction of access (preferably on all sides). The clear space must also include space for emergency exit from the machine.
5. The machine must not stand on thick carpet (high pile), otherwise the ventilation will not work properly.
6. Errors can occur when the electricity supply is unstable. Please do not use the same electrical outlet as for computers, air conditioners, etc.
7. If the power cord fails, replace it with the power cord provided by the manufacturer/importer of the belt. Contact your local distributor for replacement.
8. **Regularly check all bolts and nuts to make sure they are properly tightened.** Check all parts regularly, if damaged, do not use the machine and replace the damaged parts immediately or contact your supplier. Ensure that none of the adjusting devices protrude, they could interfere with movement.
9. Before removing the belt guard, if necessary, or carrying out maintenance or changing parts, make sure that the main switch is switched off and the machine is disconnected from the mains.
10. When you are not using the treadmill, unplug it from the mains and keep the safety key in a safe place out of the reach of children.

- 11.** Do not place any objects under the treadmill and do not let children or pets play near the folded machine.
- 12.** Do not switch on the machine when it is folded.
- 13.** Water ingress, especially into the motor, power cord or plug, can result in electric shock or death.
- 14.** Keep this manual for later reference and for ordering spare parts.
- 15.** The equipment is not intended for children under 14 years of age.
- 16.** The treadmill can only be used by one person at a time.
- 17.** Beginners should hold on to the handles while walking and running on the belt until they have fully mastered the movement on the machine.
- 18.** After turning on the main switch, stand on the side rails running along the belt (not directly on the running surface), set the safety key to the specified position. Press the "START" button, the treadmill will start at the lowest speed. At this point you can enter the running surface itself and start walking/running. Increase the speed slowly to avoid injury. Do not get off the treadmill if the treadmill is moving.
- 19.** Before you start exercising on the machine, please make sure the safety key is in the correct position and the other end is attached to your clothing. This precaution will allow you to quickly remove the key in dangerous situations where you need to stop the belt unexpectedly/immediately to avoid injury.
- 20.** Please take extra care if you watch TV or engage in other entertainment while you are exercising on the machine. Other concurrent activities may distract your concentration and cause you to lose your balance and become injured.

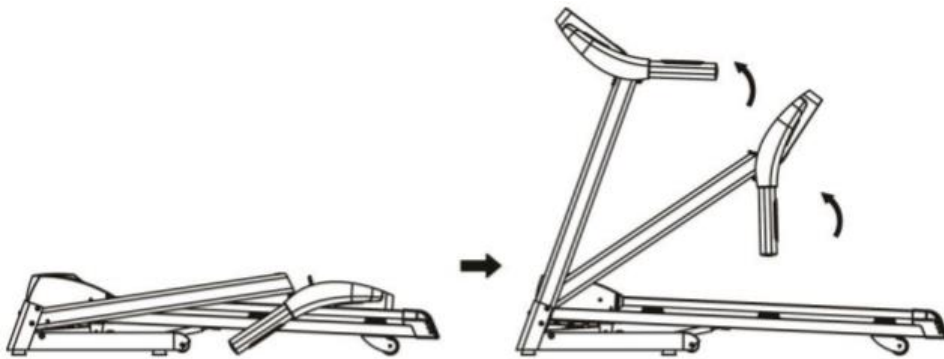
- 21.** Improper use (e.g. excessive exercise, abrupt movements without warm-up, wrong settings) can damage your health. Consult with your physician about your medical condition (cardiac, blood pressure, orthopedic problems, etc.) before starting to exercise, especially if you suffer from any of the following conditions (high blood pressure, diabetes, respiratory diseases, other chronic or complicated diseases), if you are overweight, if you are a smoker, or if the user is a pregnant or nursing woman. If you experience any of the symptoms listed below while exercising, stop exercising immediately and contact your physician. Such symptoms include chest pain/pressure, irregular heartbeat, very shortened breathing, feeling faint, lightheadedness, nausea.
- 22.** Children, elderly persons and pregnant women should not use the machine without supervision or without consulting a doctor.
- 23.** The manufacturer is not responsible for any injury, damage or failure caused by the use of this product or improper assembly and maintenance of the treadmill.
- 24.** Consult a fitness trainer for the right way to exercise.
- 25.** When exercising, we recommend wearing comfortable sports clothing and soft-soled sports shoes. Your clothes should not be too loose to avoid getting caught by the machine.
- 26.** Please put away jewelry (chains, rings, etc.).
- 27.** Do not leave new runners, children or pets unsupervised on or near the treadmill (especially if it is in use) to avoid possible injury. This machine is not a toy.
- 28.** Please ensure that you drink enough if you exercise on the treadmill for more than 20 minutes.

Installation and parts

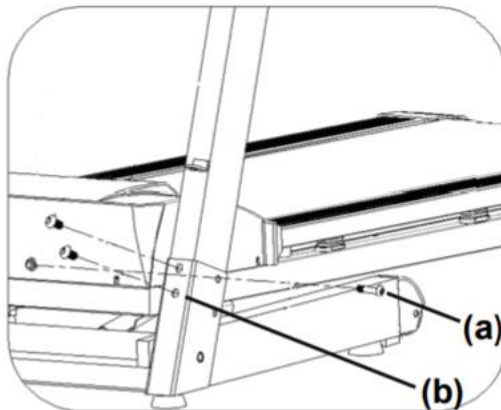
Setting up a treadmill

Carefully remove the treadmill from the shipping container. Make sure that no parts are missing. When assembling the treadmill, do not tighten the screws all the way before completing the entire installation.

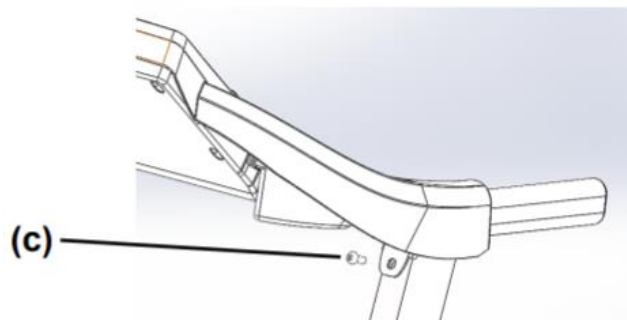
- A)** Place the machine on a flat surface and erect the vertical beams with the control panel in the direction shown in the picture below.



- B)** Use spanner No. 5 and fix the beams to the base of the belt with M8*55 screws (a). Secure the beams with M8*28 screws (b).



- C)** Use spanner No. 5 and fix the control panel to the beams with M8*28 screws (c).



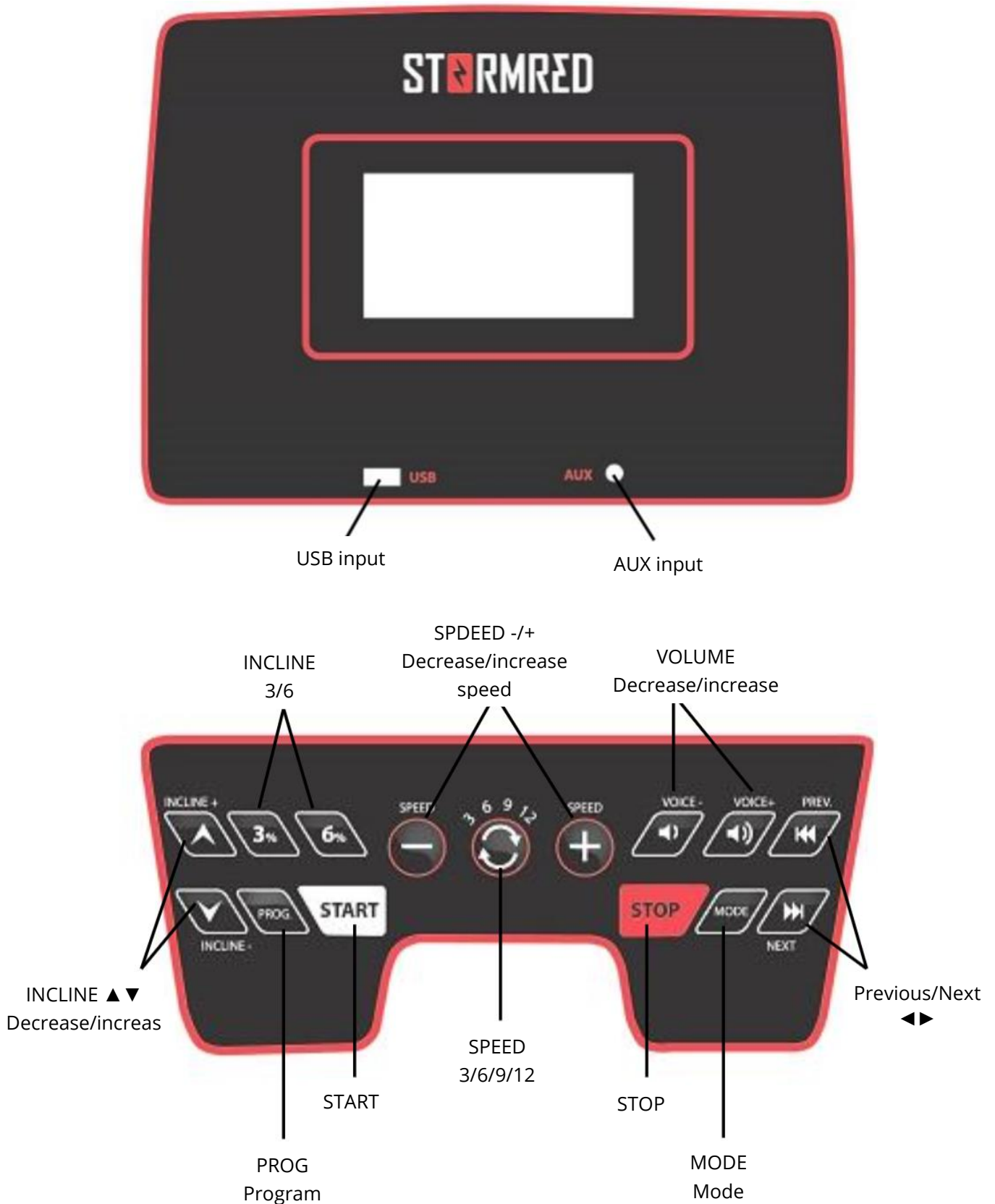
Safety key - to start the machine, place the key in the correct position on the control panel.

Parts

Number	Name	Pcs	Number	Name	Pcs
1.	Internal hexagon wrench 6 mm	1	5.	M8 nuts	2
2.	Internal hexagon wrench 5 mm	1	6.	Safety key	1
3.	Screw M8*55	2	7.	Silicone oil	1
4.	Screw M8*28	6	8.	MP3 cable	1

Use and operation

1. Control panel and functions



(1) "START/STOP"

When you are ready to start the belt, press the "START" button and the belt will start moving at 1.0 km/h. Press the "STOP" button to stop the belt from moving. If the belt is running and moving at a speed greater than 3.5 km/h, press this button and it will begin to slow down until it comes to a complete stop. During this deceleration, the other buttons do not respond. If the belt is moving at less than 3 km/h, press this button and it will stop immediately.

(2) "INCLINE ▲ ▼"

When the belt is running, press the "▲" or "▼" button to increase or decrease the inclination of the belt to the desired value.

(3) "SPEED +/-"

When the belt is running, press the "+" or "-" button to increase or decrease the speed to the desired value. The buttons can also be used in setup mode.

(4) "SPEED 3/6/9/12" (km/hr)

When the belt is running, pressing one of these buttons will automatically set the speed to the desired level ("shortcut speed selection").

(5) "INCLINE 3/6"

When the belt is running, pressing one of these buttons will automatically adjust the belt inclination to the desired level ("shortcut inclination selection").

(6) "PROG" (you can press and hold until the desired program appears)

Press the "PROG" button to select manual mode or one of the 12 preset programs P1-P12.

By pressing the "FAT" button (or by pressing the "Program" button last), the machine will help you find out the approximate value of your body fat (Body Mass Index). Confirm the mode selection by pressing the "MODE" button. Then use the "SPEED +/-" buttons to specify the parameters of the person to be measured (F1 - sex: male = 1 / female = 2, F2 - age, F3 - height, F4 - weight), confirming each value by pressing the "MODE" button. Immediately after entering and confirming the last value, the message "F5 - - -" will appear, at this point place both hands on the heart rate sensors. After a moment, the display will show the value (percentage) of body fat of the person being measured.

Test result	≤19	Underweight
	20~25	Normal weight
	25~29	Overweight
	≥30	Obesity

(7) "MODE"

Use the "MODE" button to select one of the countdown modes (time, distance or calories). You can adjust the individual countdown modes (initial values) using the SPEED+/- buttons. Starting values: 30 minutes / 1 kilometer / 50 kcal.

After selecting one of the modes, press the "START" button to confirm your choice and the belt can be started. When the countdown goes from the initial value to zero, the belt will beep and slowly stop.

(8) "VOLUME ▲ ▼"

Press the buttons to control the volume of the music playing.

(9) "Previous/Next ◀ ▶"

Press the buttons to control the music playing or switch between songs (previous/next).

(10) "USB input"

The files (tracks) on the USB drive must be stored in a single (first) level, i.e. not in folders.

(11) "Safety Key"

If the key is not in the correct position, the treadmill cannot be started. If necessary, remove the key and the treadmill will stop immediately (at higher speeds it may take several seconds for the treadmill to come to a complete stop).

2. Turning on the machine for the first time

- 1) Insert the plug into a grounded socket. Switch the main switch, which is located on the frame, to position "1".
- 2) Insert the safety key in the correct position to switch on the power supply. the machine circuit. Press the "START" button and let the belt run freely (without load). Check the status of the running belt (from low to high speed), then press the "STOP" button.
- 3) If everything is in order, you can start using the machine.
- 4) Attach the other end of the safety key to your clothing and stand straddling the side rails.
- 5) Press the "START" button, the belt will perform a short countdown with an audible signal and start moving at the lowest speed (1.0 km/h).
- 6) Now you can step right onto the belt and start running.
- 7) To end your exercise in a safe manner, first press the "STOP" button. Allow the belt to slowly come to a complete stop on its own, then dismount. Switch off the main switch.

3. Heart rate measurement

This treadmill can measure your heart rate using sensors on the handles. The measured data is only indicative.

To check your heart rate, place both hands on the sensors (grasp the handle where the sensors are in the palms of your hands).

4. Preset programs

The original time setting of the programs is 10 minutes. Before starting a program, the total program length (run time) can be changed by pressing the SPEED or INCLINE buttons. The length setting range is 5-99 minutes (min-max). Programs are divided into 10 phases that last the same length of time. The shorter you select the total program length, the shorter the individual phases will be, and vice versa. For example, a 10-minute program takes 1 minute per phase, while a 5-minute program takes only 30 seconds. When the program is running, an audible signal will sound when the program phase changes.

Stages

Program		1	2	3	4	5	6	7	8	9	10
P1	SPEED	3	3	6	5	5	4	4	4	4	3
	INCLINE	0	3	3	3	4	4	4	1	1	0
P2	SPEED	3	3	4	4	5	5	5	6	6	4
	INCLINE	2	2	2	3	3	3	3	4	4	2
P3	SPEED	2	4	6	8	7	8	6	2	3	2
	INCLINE	3	5	4	4	3	4	4	3	4	2
P4	SPEED	3	3	5	6	7	6	5	4	3	3
	INCLINE	0	3	3	2	2	5	5	3	3	2
P5	SPEED	3	6	6	6	8	7	7	5	5	4
	INCLINE	3	5	3	4	2	3	4	2	3	2
P6	SPEED	2	6	5	4	8	7	5	3	3	2
	INCLINE	3	4	5	6	3	5	5	6	4	3
P7	SPEED	2	9	9	7	7	6	5	3	2	2
	INCLINE	0	3	3	3	4	4	4	1	1	0
P8	SPEED	2	4	4	4	5	6	8	8	6	2
	INCLINE	1	1	4	4	4	5	5	4	3	2
P9	SPEED	2	4	5	5	6	5	6	3	3	2
	INCLINE	3	5	3	4	2	3	4	2	3	2
P10	SPEED	2	5	7	5	8	6	5	2	4	3
	INCLINE	1	5	6	8	12	9	10	9	5	3
P11	SPEED	2	5	6	7	8	9	10	5	3	2
	INCLINE	3	5	6	8	6	5	8	7	5	2
P12	SPEED	2	3	5	6	8	6	9	6	5	3
	INCLINE	5	7	5	8	6	5	9	10	6	2

Maintenance and storage

1. Check the V-belt and treadmill settings

If the treadmill seems to be slipping, follow these steps to determine which part is loose and needs tightening, the treadmill (surface) or the V-belt on the motor.

- a) Turn off the main switch and disconnect the belt from the power supply (from the socket). Loosen the side screws on the motor guard and pull the guard down.
- b) Switch the belt back on and set the speed to approx. 3 km/h. Stand on the belt and try to stop it by stepping lightly against the movement of the belt.
- c) If the treadmill (surface) pauses with the front roller, this means that the engine V-belt needs to be tensioned.
- d) If the treadmill (surface) pauses but the front roller is still spinning, this means that the treadmill (surface) needs to be tensioned more.
- e) Once this check and adjustment is complete, screw the motor guard back on.

2. V-belt adjustments

Disconnect the belt from the power supply and remove the motor guard. Loosen the four screws on the motor and then turn the special adjustment screw to adjust. Screw clockwise. Then screw back all four screws on the motor.

Plug the belt into the power supply and check again as before that the V-belt is sufficiently tensioned. If the belt still needs to be tightened, repeat the operation once more.

3. Treadmill/surface modification

Turn the two screws at the ends of the belt in the same direction half a turn as shown in the pictures below. If the belt/surface still slips, repeat the previous step. With this adjustment, you can let the belt run at a speed of about 5-6 km/h.



Belt tension - screw clockwise

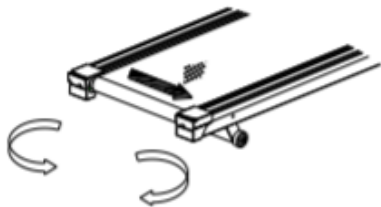


Enabling the belt - screw counterclockwise

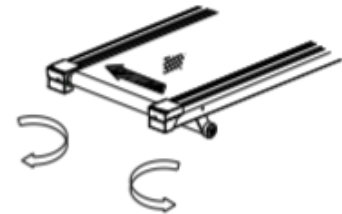
4. Adjusting the treadmill deviation

While using the belt, the running surface may start to tilt sideways. In this case, it is necessary to re-center the treadmill according to the following steps:

- a) Place the belt on a horizontal surface and set the speed to approx. 5-6 km/h.
- b) If the treadmill deflects to the right, turn the right screw at the end of the treadmill half a turn clockwise and the left screw half a turn counterclockwise.
- c) If the treadmill deflects to the left, turn the left screw at the end of the treadmill half a turn clockwise and the right screw half a turn counterclockwise.
- d) If the belt still deflects sideways, repeat one of the previous steps.



Belt deflecting to the right



Belt deflecting to the left

5. Lubricating the treadmill

The underside of the treadmill/surface or the tread plate under the treadmill requires regular maintenance in the form of lubrication with silicone oil. Maintaining the correct tension between the belt and the plate has a great influence on the life of the treadmill.

Proceed as follows:

- a) Turn off the main belt switch and slightly loosen the treadmill/treadmill surface.
- b) Wipe off dust and dirt between the belt and the plate with a clean cloth.
- c) Evenly apply a small amount of silicone oil from above between the belt and the plate at the front of the belt.
- d) Re-tension the treadmill and set it in motion to spread the oil over the entire running surface.

We recommend applying the included lubricant after approximately the first 40 hours of operation. We also recommend lubricating the platform according to the following schedule:

- with moderate use (less than 3 hours per week), lubricate every 5 months
- with moderate use (4-7 hours per week) lubricate every 2 months
- for frequent use (more than 7 hours per week) lubricate every 14 days

Also lubricate the front and rear rollers regularly to maintain maximum performance.

Regular maintenance will extend the life of the machine and can prevent injuries.

6. Cleaning

Make sure the belt is disconnected from the mains before cleaning.

Regularly wipe off dust and dirt from the entire treadmill surface with a soft damp cloth. After cleaning, wipe the treadmill dry.

It is also necessary to continuously remove dust from the engine compartment and adjacent parts (approximately every 2 months). Unscrew the plastic cover over the engine and either vacuum the entire area with a vacuum cleaner (**BE CAREFUL** not to touch or damage the printed connections and all electrical components), or if you don't want to use a vacuum cleaner, use a soft brush to gently clean the dust off. Then put the cover back in place.

REMEMBER THAT THE BELT MUST BE DISCONNECTED FROM THE POWER SOURCE DURING THIS CLEANING.

7. Storage

The machine is equipped with a hydraulic mechanism, thanks to which the treadmill/platform can be easily raised to a vertical position, saving considerable space when the machine is not in use.

The incline of the treadmill must be in the starting position (i.e. "0") before such a surface lift. Switch off the machine and disconnect the power cord. Simply lift the surface, it will hold itself in the correct position. Before handling the machine, make sure that the plate is actually secured. Do not operate the machine when it is folded.

To tilt the surface back to a horizontal position, simply press the "joint" on the upright bar located on the underside of the belt with your foot (towards the belt). The surface will then start to tilt downwards spontaneously and slowly.

Store the belt indoors in a clean, dry area. Protect it from direct sunlight and high temperatures. Do not place any items on the belt. Avoid handling the belt with high static electricity, which can interfere with the proper functioning of the meters or even damage them. During the winter, store and use the belt in rooms with adequate humidity.



Causes and solutions to possible faults

#	Failure	Cause	Solution
1	The treadmill cannot be lowered.	The safety key is not in the correct position	Put the safety key in the correct position.
		The main switch is off (in position "O").	Turn the main switch to position "1".
2	The control panel/display does not display any information.	The control panel and control unit are disconnected/disconnected.	Contact the service center. (Remove the motor cover and reconnect the panel to the unit.)
3	The heart rate is not displayed.	The sensors are not wet enough.	Wet the sensors lightly with water.
		The sensing is interfered by another electromagnetic field.	Move the belt to another location. Avoid contact with electromagnetic waves.
4	The tilt adjustment does not work.	The motor cable is not connected correctly.	Contact the service center. (Remove the engine cover and connect the cable correctly.)
5	The treadmill/surface slips.	The treadmill is not tightened enough.	Tighten the treadmill.
6	The treadmill/surface deflects sideways.	The treadmill is not adjusted.	Adjust the treadmill deviation.

If you are unable to correct the fault even with the above solutions, please contact our professional service as soon as possible.

Error messages on the display

If there are any problems with the treadmill, the type of fault will be shown on the display.

In the event of such a fault, please do not hesitate to contact our service center.

Fault code	Fault description (reason)	Troubleshooting
E-01	Communication fault between the control unit and the control panel/display.	<ul style="list-style-type: none"> • Damaged interconnecting cable - repair or replacement required. • The cable end is pulled out of the connectors - push it firmly back into position. • Damaged control unit - repair or replacement required.
E-02	Bad connection between the motor and the control unit (no signal from the motor).	<ul style="list-style-type: none"> • Contact the service center. • Check the wiring of the motor cable. • Damaged interconnecting cable - repair or replacement required.
E-05	Surge protection - voltage fluctuations in the network. Voltage exceeded the marked 220-240 V.	<ul style="list-style-type: none"> • Check the actual voltage - turn the strip back on when it reaches a normal level of around 220-240V. • Check the condition of the engine and control unit (in case of odor, etc., replacement or repair is necessary).
E-06	Overload / damage to the motor or control unit.	Engine or control unit failure - repair required.
E-07	The safety key is not plugged in.	Attach the safety key to the magnetic wheel under the display.

Exercising on the treadmill

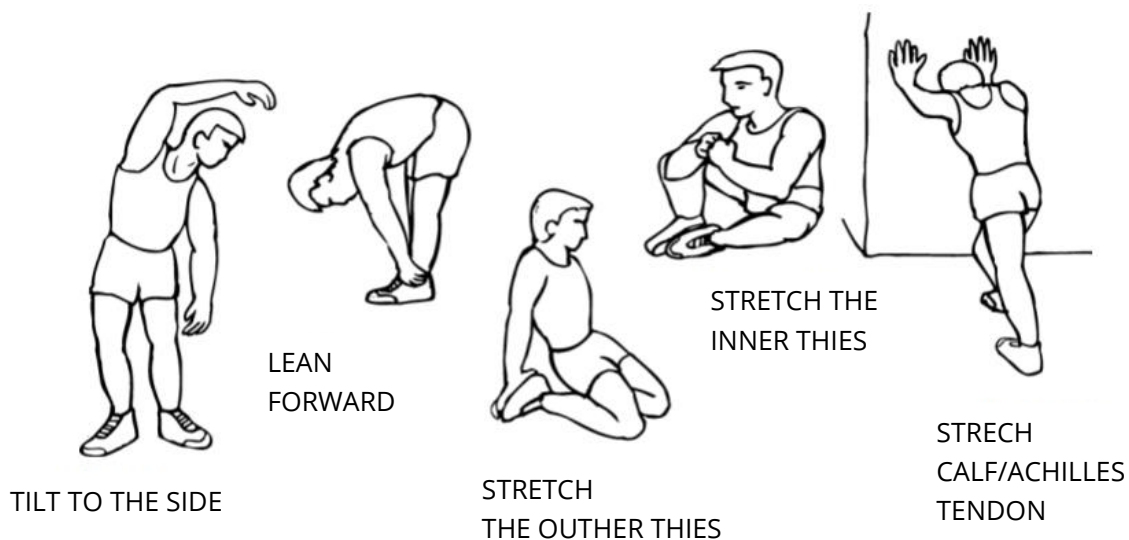
Using a treadmill will help you improve your fitness, firm your muscles and help you lose weight while controlling your calorie intake.

1. Warm-up phase

Before each exercise it is important to warm up and stretch with appropriate dynamic and static exercises to prepare the body for the exercise. This will not only increase your physical performance later on, but more importantly reduce the risk of injury during the exercise itself.

During the warm-up phase, you will get your blood circulation moving more, warm up and prepare your muscles to function properly. This will reduce the risk of cramps and muscle injuries.

We recommend performing a few stretching exercises as shown below. In each stretch you should hold for about 20-30 seconds, do not stretch the muscles with a sharp movement and do not overstretch them.



2. Stages of exercise

This is the stage where you put the most effort. With regular exercise, your leg muscles will become stronger and more flexible. Exercise at your own pace. It is optimal to exercise for 15-20 minutes at the beginning, longer after a few sessions. We recommend training at least three times a week, preferably with an even time distribution.

3. Soothing phase

After the workout, don't forget to stretch again and calm down your body/heart rate with suitable static exercises, relax your muscles.

This phase is necessary for your cardiovascular system and your muscles to gradually relax. Repeat the stretching exercises, again remembering not to overstretch or abruptly tense your muscles.

4. Weight reduction

An important factor in weight loss is the number of calories you take in and put out. The longer and harder you exercise, the more you burn. However, you also need to monitor your intake, especially watch out for fatty, sugary foods and portion sizes.

Warranty conditions

A new product purchased from Alza.cz is covered by a 2-year warranty. In case of need for repair or other service within the warranty period, please contact the seller of the product directly, it is necessary to present the original proof of purchase with the date of purchase.

The following shall be deemed to be a breach of warranty for which the claim cannot be accepted:

- Using the product for a purpose other than that for which the product is intended or failing to follow the instructions for maintenance, operation and servicing of the product.
- Damage to the product due to natural disaster, unauthorized person or mechanical fault of the buyer (e.g. during transportation, cleaning by improper means, etc.).
- natural wear and aging of consumables or components during use (e.g. batteries, etc.).
- The action of adverse external influences such as solar and other radiation or electromagnetic fields, liquid ingress, object ingress, mains surges, electrostatic discharge (including lightning), faulty supply or input voltage and the improper polarity of this voltage, chemical processes, e.g. used power supplies, etc.
- If anyone has made alterations, modifications, design changes or adaptations to change or extend the product's features from the purchased design or use non-original parts.

Uživatelská příručka k výrobku obsahuje funkce výrobku, návod k použití a postup obsluhy. Přečtěte si pozorně uživatelskou příručku, abyste získali co nejlepší zkušenosti a předešli zbytečným škodám. Tuto příručku si uschovejte pro budoucí použití. Máte-li jakékoli dotazy nebo připomínky k zařízení, obraťte se na zákaznickou linku.

✉ www.alza.cz/kontakt

☎ +420 225 340 111

Dovozce Alza.cz a.s. , Jankovcova 1522/53, Holešovice, 170 00 Praha 7, www.alza.cz

Vážení zákazníci,

děkujeme, že jste si zakoupili náš výrobek. Tento běžecký pás Vám v rámci domácího prostředí pomůže splnit cíl být v dobré fyzické kondici a správně rozvíjet svaly.

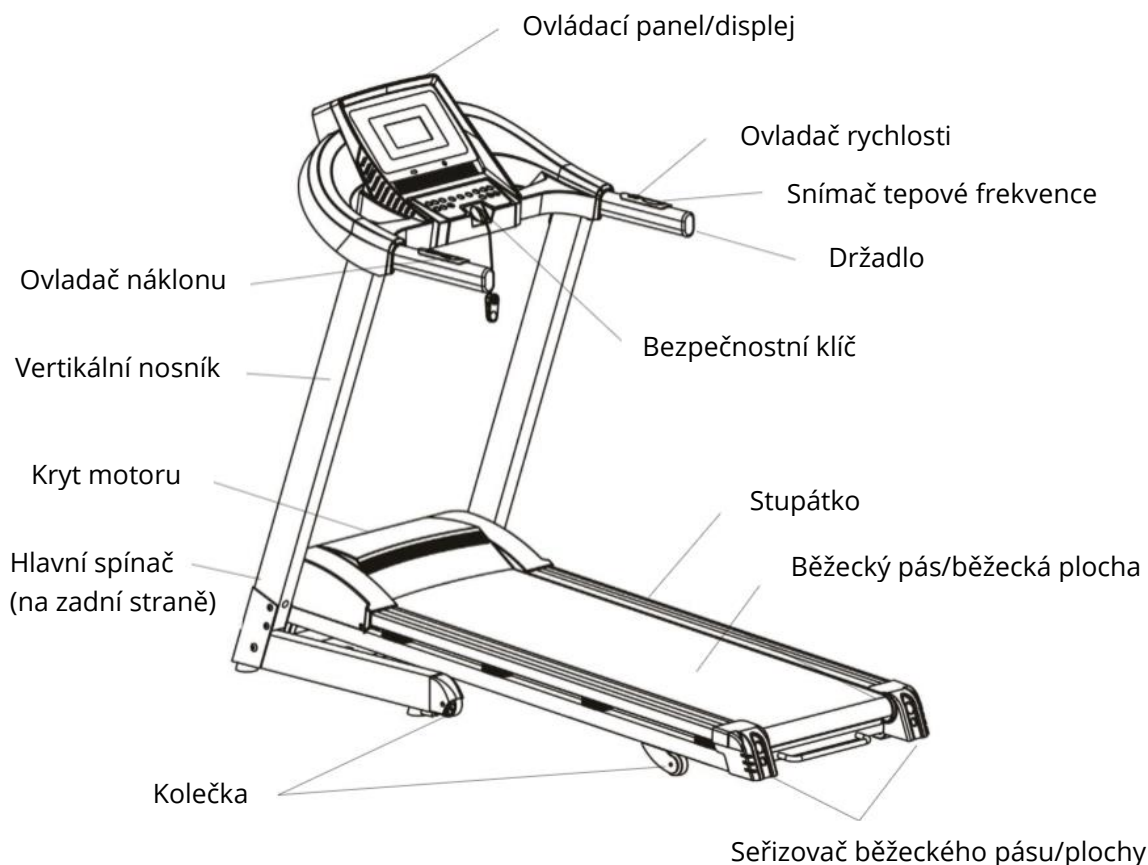
Před uvedením pásu do provozu si, prosím, pečlivě přečtěte návod k montáži a obsluze, a to i v případě, že jste zakoupili stroj sestavený.

Pokud jste zakoupili stroj v originálním kartónovém obalu, tj. v rozebraném přepravním stavu, věnujte pozornost pokynům k montáži. Před zahájením montáže vyjměte opatrně jednotlivé komponenty z krabice, zkontrolujte jejich kompletnost/nepoškozenost a podle návodu si promyslete postup montáže.

Věříme, že budete se zakoupeným výrobkem spokojeni a stroj přispěje k upevnění Vašeho zdraví. Přejeme mnoho úspěchů, vytrvalosti a sil při dosažení Vašich sportovních cílů.

Stručný popis – technické parametry

TM-9030 motorový běžecký pás s přehledným ovládacím panelem a displejem zobrazujícím údaje o průběhu cvičení. Rozsah rychlosti 1-18 km/h, 15 úrovní sklonu (elektronický), snímače tepu a ovladače rychlosti a sklonu na rukojetích. Snadno ovladatelný skládací mechanismus pro úsporu místa při skladování pásu.



Běžecský pás třídy H podle normy EN ISO 20957-1, tzn. pouze pro domácí použití. Stroj není určen pro komerční účely a vyšší výkonnostní zatížení. Stroj nemůže být používán jako terapeutické nebo rehabilitační zařízení. Třída přesnosti C (nízká).

Funkce zobrazované na displeji: rychlost, čas, vzdálenost, tepová frekvence, kalorie, sklon

Typ displeje:	LCD 5"
Vstupní napětí:	220-240 V
Frekvence:	50/60 Hz
Příkon:	1 500 W
Vstupní proud:	16 A (jednopolový C jistič)
Výkon motoru:	2 HP
Provozní teplota:	0-40 °C
Rozsah zobrazení rychlosti:	1.0-18.0 km/h
Úrovně sklonu:	15 – elektronické nastavení
Rozsah zobrazení času:	0:00-99:59 (minuty: sekundy)
Rozsah zobrazení vzdálenosti:	0.0-99.9 km
Rozsah zobrazení tepové frekvence:	50-200 tepů/min
Rozsah zobrazení kalorií:	0-999
Maximální nosnost:	130 kg
Rozměry stroje (d × š × v):	1560 × 700 × 1210 mm
Váha stroje:	53 kg

Bezpečnostní pravidla

1. Zasuňte zástrčku přímo do zásuvky, nepoužívejte prodlužovací kabel ani rozdvojku.
2. Stroj může být v nepřetržitém provozu maximálně 2 hodiny.
3. Umístěte stroj na pevnou, rovnou a čistou plochu a ujistěte se, že stojí stabilně. Doporučujeme pod pás položit nějakou ochrannou vrstvu/podložku, abyste předešli případnému poškození podlahy. **Nepoužívejte přístroj:**
 - a) venku (přístroj je speciálně navržen pro vnitřní použití),
 - b) na nerovných plochách,
 - c) na přímém slunečním světle nebo v blízkosti tepelného zdroje,
 - d) ve vlhkém nebo mokřém prostředí,
 - e) v uzavřeném prostoru, kde necirkuluje vzduch (v nevětraných místnostech), nebo v prostoru s hořlavou kapalinou nebo plynem.
4. Nechte kolem stroje volnou plochu minimálně 0,6 m ve směru přístupu k zařízení (nejlépe na všechny strany). Volný prostor musí také zahrnovat prostor pro nouzové opuštění zařízení. Jestliže je zařízení umístěno v blízkosti dalšího zařízení, může se tento volný prostor sdílet.
5. Stroj nesmí stát na silném koberci (s vysokým vlasem), jinak nebude moci správně fungovat ventilace.
6. Při nestabilní dodávce elektřiny se mohou objevit chyby. Prosím nepoužívejte stejnou elektrickou zásuvku jako pro počítače, klimatizace atd.
7. Pokud dojde k poruše přívodního kabelu, nahraďte jej přívodním kabelem poskytnutým výrobcem/dovozcem daného pásu. Pro výměnu se obraťte na místního distributora.
8. **Pravidelně kontrolujte všechny šrouby a matice, zda jsou řádně dotaženy.** Pravidelně kontrolujte všechny části, pokud jsou poškozeny, stroj nepoužívejte a ihned poškozené části vyměňte nebo kontaktujte dodavatele. Ujistěte se, že žádný ze seřizovacích prostředků nevyčnívá, mohl by překážet pohybu.
9. Předtím, než případně sejmete ochranný kryt pásu nebo budete provádět údržbu či měnit součástky, se ujistěte, že hlavní spínač je vypnutý a stroj odpojený od elektrické sítě.

- 10.** Pokud běžecký pás nepoužíváte, odpojte ho od elektrické sítě a bezpečnostní klíč uschovejte na bezpečném místě, mimo dosah dětí.
- 11.** Pod běžecký pás nepokládejte žádné předměty a nenechávejte děti či domácí zvířata hrát si v blízkosti složeného stroje (zdvížené spodní části).
- 12.** Nezapínejte přístroj, pokud je složený (zdvížená spodní část).
- 13.** Při vniknutí vody, zejména do motoru, přívodního kabelu nebo zástrčky, hrozí nebezpečí úrazu elektrickým proudem nebo smrti.
- 14.** Uschovejte tento návod pro pozdější nahlédnutí a případné objednání náhradních dílů.
- 15.** Zařízení není určeno pro děti mladší 14 let.
- 16.** Běžecký pás může současně používat maximálně jedna osoba.
- 17.** Začátečníci by se měli po dobu chůze a běhu na pásu držet rukojetí, dokud si plně neosvojí pohyb na stroji.
- 18.** Po zapnutí hlavního spínače se postavte na boční stupátka vedoucí podél pásu (nikoli přímo na běžeckou plochu), bezpečnostní klíč nastavte do stanovené pozice. Stiskněte tlačítko „START“, pás se spustí na nejnižší rychlost. V tento okamžik můžete vstoupit na samotnou běžeckou plochu a zahájit chůzi/běh. Zvyšujte rychlost pomalu, aby nedošlo ke zranění. Nesestupujte z běžeckého pásu, pokud se pás pohybuje.
- 19.** Než zahájíte cvičení na stroji, ujistěte se, prosím, že bezpečnostní klíč je ve správné pozici a jeho druhý konec je připevněný k vašemu oděvu. Toto opatření vám umožní klíč rychle vytáhnout v nebezpečných situacích, kdy potřebujete pás nečekaně/okamžitě zastavit, aby nedošlo ke zranění.
- 20.** Pokud budete během cvičení na stroji sledovat televizi nebo se věnovat jiné zábavě, prosím buďte zvláště opatrní. Další souběžné činnosti mohou rozptýlit vaši soustředěnost, a tak zapříčinit ztrátu vaší rovnováhy a zranění.

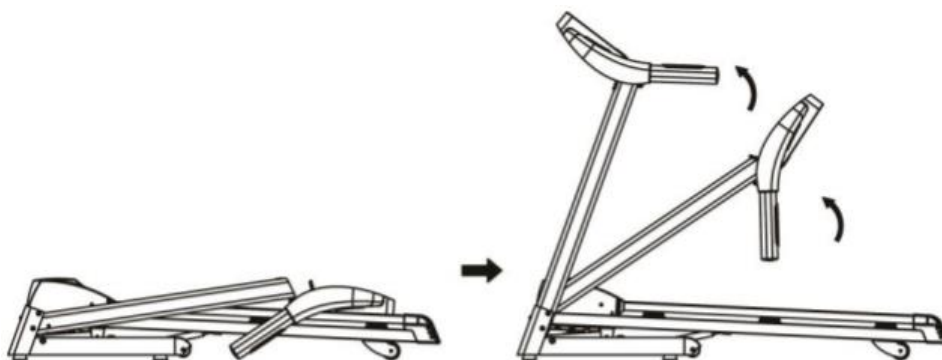
21. Nesprávné používání (např. nadměrné cvičení, prudké pohyby bez rozcvičení, špatné nastavení) může poškodit vaše zdraví. **Před začátkem cvičení konzultujte váš zdravotní stav** (srdeční systém, krevní tlak, ortopedické problémy atd.) **se svým lékařem**, zvláště pokud trpíte některým z následujících onemocnění (vysoký krevní tlak, cukrovka, respirační onemocnění, jiná chronická nebo komplikovaná onemocnění), pokud trpíte nadváhou, jste kuřáci nebo pokud je uživatelem těhotná či kojící žena. Pokud se během cvičení objeví kterýkoliv z níže uvedených příznaků, okamžitě přestaňte cvičit a kontaktujte svého lékaře. Takovými příznaky jsou bolest/tlak v hrudním koši, nepravidelný tep, velmi zkrácené dýchání, pocit na omdlení, točení hlavy, nevolnost.
22. Děti, starší osoby a těhotné ženy by neměly stroj používat bez dozoru, popř. bez konzultace s lékařem.
23. Výrobce není zodpovědný za jakékoliv zranění, škodu nebo selhání způsobené použitím tohoto výrobku či špatným sestavením a údržbou běžeckého pásu.
24. Správný způsob cvičení konzultujte s fitness trenérem.
25. Při cvičení doporučujeme nosit pohodlné sportovní oblečení a sportovní obuv s měkkou podrážkou. Vaše oblečení by nemělo být příliš volné, aby nedošlo k zachycení oděvu strojem.
26. Prosím, odložte šperky (řetízky, prstýnky apod.).
27. Nenechávejte začínající běžce, děti a domácí zvířata bez dozoru na běžeckém pásu či v jeho blízkosti (zvláště pokud je v provozu), aby nedošlo k případnému zranění. Tento stroj není hračka.
28. Prosím dodržujte dostatečný pitný režim, cvičíte-li na běžeckém pásu déle než 20 minut.

Instalace a seznam dílů

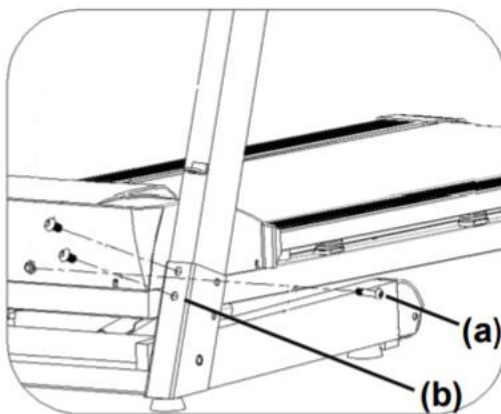
Sestavení běžeckého pásu

Opatrně vyjměte běžecký pás z přepravního obalu. Ujistěte se, že nechybí žádný z dílů. Při sestavování běžeckého pásu neutahujte šrouby na doraz před dokončením celé instalace.

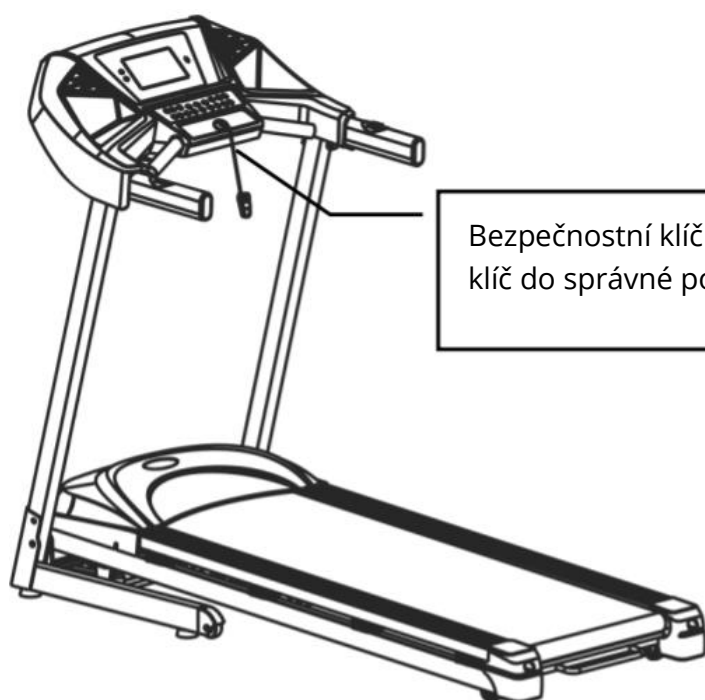
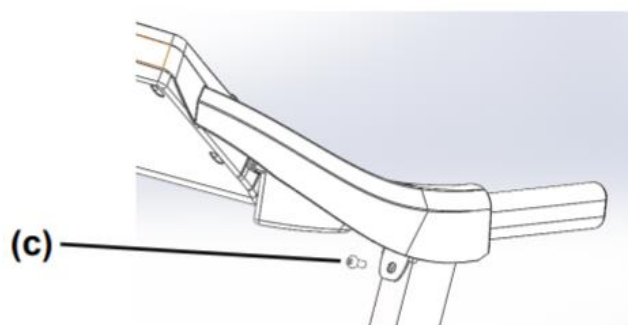
- A)** Položte stroj na rovnou plochu a vzyčte vertikální nosníky s ovládacím panelem ve směru, jak je ukázáno na obrázku níže.



- B)** Použijte klíč č. 5 a připevněte nosníky k základně pásu pomocí šroubů M8*55 (a). Zajistěte nosníky pomocí šroubů M8*28 (b).



C) Použijte klíč č. 5 a připevněte ovládací panel k nosníkům pomocí šroubů M8*28 (c).



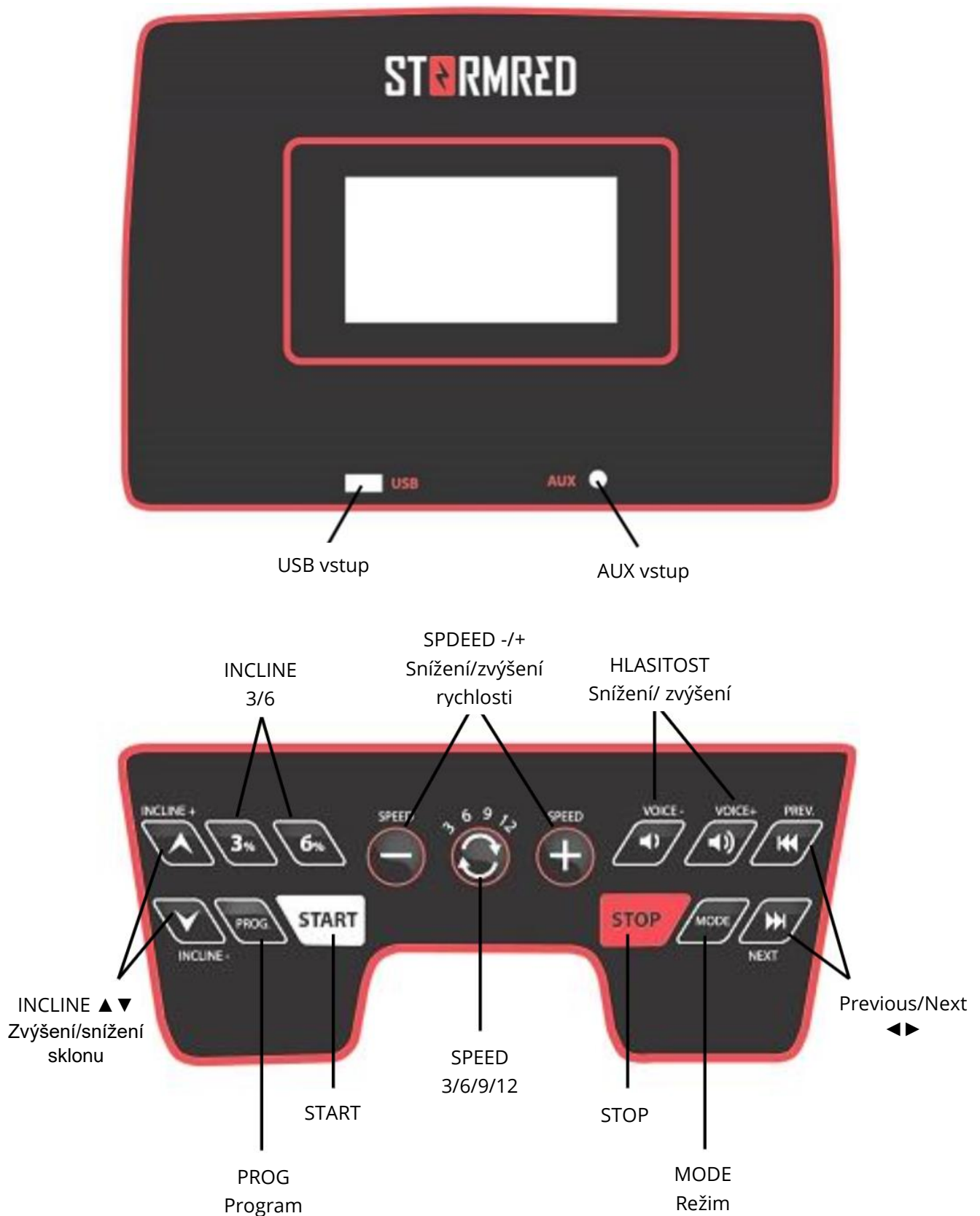
Bezpečnostní klíč – pro spuštění stroje položte klíč do správné pozice na ovládacím panelu.

Seznam příslušenství

Číslo	Název	Počet	Číslo	Název	Počet
1.	Vnitřní šestihranný klíč 6 mm	1	5.	Matice M8	2
2.	Vnitřní šestihranný klíč 5 mm	1	6.	Bezpečnostní klíč	1
3.	Šroub M8*55	2	7.	Silikonový olej	1
4.	Šroub M8*28	6	8.	MP3 kabel	1

Použití a provoz

1. Ovládací panel a funkce



(1) „START/STOP“

Pokud jste připraveni pás spustit, stiskněte tlačítko „START“, pás se začne pohybovat rychlostí 1.0 km/h. Stisknutím tlačítka „STOP“ pohyb pásu zastavíte. Pokud je pás v chodu a pohybuje se rychlostí vyšší než 3.5 km/h, stisknutím tohoto tlačítka začne zpomalovat, až se úplně zastaví. Během tohoto zpomalování další tlačítka nereagují. Pokud se pás pohybuje rychlostí nižší než 3 km/h, stisknutím tohoto tlačítka zastaví okamžitě. Pás se spustí po krátkém odpočtu. Tlačítka „START/STOP“ najdete také na levém držadle.

(2) „INCLINE ▲ ▼“

Pokud je pás v chodu, stisknutím tlačítka „▲“ nebo „▼“ zvýšíte nebo snížíte sklon pásu na požadovanou hodnotu.

(3) „SPEED +/-“

Pokud je pás v chodu, stisknutím tlačítka „+“ nebo „-“ zvýšíte nebo snížíte rychlost na požadovanou hodnotu. Tlačítka lze použít také v režimu nastavení.

(4) „SPEED 3/6/9/12“ (km/hod)

Pokud je pás v chodu, stisknutím jednoho z těchto tlačítek se rychlost automaticky nastaví na požadovanou úroveň („zkrácená volba rychlosti“).

(5) „INCLINE 3/6“

Pokud je pás v chodu, stisknutím jednoho z těchto tlačítek se sklon pásu automaticky nastaví na požadovanou úroveň („zkrácená volba sklonu“).

(6) „PROG“ (můžete stisknout a podržet, dokud se neobjeví požadovaný program)

Stiskněte tlačítko „PROG“ pro zvolení manuálního režimu nebo jednoho z 12 přednastavených programů P1-P12.

Stisknutím tlačítka „FAT“ (resp. posledním stisknutím tlačítka „Program“) Vám stroj pomůže zjistit přibližnou hodnotu Vašeho tělesného tuku (Body Mass Index). Volbu režimu potvrďte stisknutím tlačítka „MODE“. Poté pomocí tlačítek „SPEED +/-“ upřesněte parametry měřené osoby (F1 – pohlaví: muž = 1 / žena = 2, F2 – věk, F3 – výšku, F4 – váhu), každou hodnotu přitom potvrďte tlačítkem „MODE“. Hned po zadání a potvrzení poslední hodnoty se objeví nápis „F5 - - -“, v tuto chvíli položte obě ruce na snímače tepové frekvence. Po chvíli se na displeji zobrazí hodnota (procento) tělesného tuku měřené osoby.

Výsledek testu

≤19

Podváža

20~25	Normální váha
25~29	Nadváha
≥30	Obezita

(7) „MODE“

Tlačítkem „MODE“ zvolíte jeden z režimů odpočtu (čas, vzdálenost nebo kalorie). Jednotlivé režimy odpočtu (počáteční hodnoty) můžete upravit pomocí tlačítek SPEED+/- . Počáteční hodnoty: 30 minut / 1 kilometr / 50 kcal.

Po výběru jednoho z režimů stiskněte tlačítko „START“, abyste svou volbu potvrdili a pás mohl být spuštěn. Když se odpočet dostane z počáteční hodnoty na nulu, pás vydá zvukový signál a pomalu se zastaví.

(8) „HLASITOST ▲ ▼“

Stisknutím tlačítek ovládáte hlasitost puštěné hudby.

(9) „Previus/Next ◀ ▶“

Stisknutím tlačítek ovládáte puštěnou hudbu, resp. můžete přepínat mezi písničkami (předchozí/další).

(10) „USB vstup“

Soubory (skladby) na USB disku musí být uloženy v jediné (první) úrovni, tedy nikoli ve složkách.

(11) „Bezpečnostní klíč“

Pokud klíč není ve správné pozici, běžecký pás nelze spustit. V případě nutnosti vytáhněte klíč a pás se okamžitě zastaví (při vyšších rychlostech může trvat několik sekund, než se pás zcela zastaví).

2. První spuštění stroje

- 1) Vložte zástrčku do zásuvky s uzemněním. Přepněte hlavní spínač, který je umístěn na rámu, do polohy "1".
- 2) Vložte bezpečnostní klíč do správné pozice, tím zapnete el. obvod stroje. Stiskněte tlačítko "START" a nechte pás volně běžet (bez zatížení). Zkontrolujte stav spuštěného pásu (od nízké po vysokou rychlost), poté stiskněte tlačítko "STOP".
- 3) Pokud je vše v pořádku, můžete začít s používáním stroje.
- 4) Připevněte druhý konec bezpečnostního klíče k vašemu oděvu a postavte se rozkročeně na boční stupátka.
- 5) Stiskněte tlačítko "START", pás provede krátký odpočet se zvukovým signálem a začne se pohybovat nejnižší rychlostí (1.0 km/h).
- 6) Nyní můžete vkročit přímo na pás a začít běžet.
- 7) K ukončení vašeho cvičení bezpečným způsobem, nejprve stiskněte tlačítko "STOP". Nechte pás, aby se sám pomalu úplně zastavil, a poté z něj sestupte. Vypněte hlavní spínač.

3. Měření tepové frekvence

Tento běžecký pás může měřit vaši tepovou frekvenci pomocí senzorů na držadlech. Naměřené údaje jsou pouze orientační.

Pro zjištění Vaší tepové frekvence položte obě ruce na senzory (uchopte madlo v místě senzorů do dlaní).

4. Přednastavené programy

Původní časové nastavení programů je 10 minut. Před spuštěním programu lze stisknutím tlačítek SPEED nebo INCLINE změnit celkovou délku programu (dobu trvání běhu). Rozsah nastavení délky je 5-99 minut (min-max). Programy jsou rozděleny do 10 fází, které trvají stejně dlouhou dobu. Čím kratší zvolíte celkovou délku programu, tím kratší budou i jednotlivé fáze, a naopak. Např. při 10minutovém programu trvá každá fáze 1 minutu, při 5minutovém programu jen 30 vteřin. Během spuštěného programu se ozve zvukový signál ve chvíli, kdy se mění fáze programu.

Fáze

Program		1	2	3	4	5	6	7	8	9	10
P1	SPEED	3	3	6	5	5	4	4	4	4	3
	INCLINE	0	3	3	3	4	4	4	1	1	0
P2	SPEED	3	3	4	4	5	5	5	6	6	4
	INCLINE	2	2	2	3	3	3	3	4	4	2
P3	SPEED	2	4	6	8	7	8	6	2	3	2
	INCLINE	3	5	4	4	3	4	4	3	4	2
P4	SPEED	3	3	5	6	7	6	5	4	3	3
	INCLINE	0	3	3	2	2	5	5	3	3	2
P5	SPEED	3	6	6	6	8	7	7	5	5	4
	INCLINE	3	5	3	4	2	3	4	2	3	2
P6	SPEED	2	6	5	4	8	7	5	3	3	2
	INCLINE	3	4	5	6	3	5	5	6	4	3
P7	SPEED	2	9	9	7	7	6	5	3	2	2
	INCLINE	0	3	3	3	4	4	4	1	1	0
P8	SPEED	2	4	4	4	5	6	8	8	6	2
	INCLINE	1	1	4	4	4	5	5	4	3	2
P9	SPEED	2	4	5	5	6	5	6	3	3	2
	INCLINE	3	5	3	4	2	3	4	2	3	2
P10	SPEED	2	5	7	5	8	6	5	2	4	3
	INCLINE	1	5	6	8	12	9	10	9	5	3
P11	SPEED	2	5	6	7	8	9	10	5	3	2
	INCLINE	3	5	6	8	6	5	8	7	5	2
P12	SPEED	2	3	5	6	8	6	9	6	5	3
	INCLINE	5	7	5	8	6	5	9	10	6	2

Údržba a skladování

1. Kontrola nastavení klínového řemene a běžeckého pásu

Pokud se vám zdá, že běžecký pás prokluzuje, následujícími kroky zjistíte, která z částí je uvolněná a potřebuje dotáhnout, zda je to běžecký pás (plocha) nebo klínový řemen u motoru.

- a) Vypněte hlavní spínač a vypojte pás z napájení (ze zásuvky). Uvolněte postranní šrouby na ochranném krytu motoru a sundejte kryt dolů.
- b) Pás znovu zapněte a nastavte rychlost cca 3 km/h. Postavte se na pás a lehkým nášlapem proti pohybu pásu se ho pokuste zastavit.
- c) Pokud se běžecký pás (plocha) pozastaví spolu s předním válcem, znamená to, že je nutné napnout klínový řemen motoru.
- d) Pokud se běžecký pás (plocha) pozastaví, ale přední válec se stále točí, znamená to, že je nutné více napnout běžecký pás (plochu).
- e) Po skončení této kontroly a nastavení přišroubujte zpět ochranný kryt motoru.

2. Úpravy klínového řemene

Vypojte pás z napájení a sejměte ochranný kryt motoru. Uvolněte čtyři šrouby na motoru a poté otáčejte speciálním seřizovacím šroubem pro nastavení. Šroubujte ve směru hodinových ručiček. Poté přišroubujte zpět všechny čtyři šrouby na motoru.

Zapojte pás do napájení a znovu podle předchozího postupu překontrolujte, zda je klínový řemen dostatečně napnutý. Pokud je třeba řemen ještě dotáhnout, opakujte úkon ještě jednou.

3. Úprava běžeckého pásu/plochy

Otočte oběma šrouby na koncích pásu ve stejném směru o půl otáčky podle obrázků níže. Pokud pás/plocha stále prokluzuje, zopakujte předchozí krok. Při této úpravě můžete pás nechat běžet rychlostí cca 5-6 km/h.



Napnutí pásu –
šroubujte ve směru
hodinových ručiček



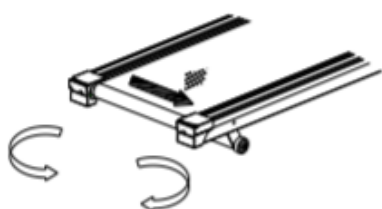
Povolení pásu –
šroubujte proti směru
hodinových ručiček

4. Úprava odchyšky běžeckého pásu

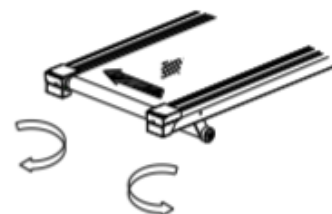
Během používání pásu se může stát, že se běžecká plocha začne vychylovat do stran. V takovém případě je nutné ji znovu vycentrovat, dle následujících kroků:

- a) Umístěte pás na vodorovný povrch a nastavte rychlost cca 5-6 km/h.
- b) Pokud se běžecký pás vychyluje směrem doprava, otočte pravým šroubem na konci pásu o půl otáčky ve směru hodinových ručiček a levým šroubem o půl otáčky proti směru hodinových ručiček.
- c) Pokud se běžecký pás vychyluje směrem doleva, otočte levým šroubem na konci pásu o půl otáčky ve směru hodinových ručiček a pravým šroubem o půl otáčky proti směru hodinových ručiček.

Pokud se pás stále vychyluje do strany, zopakujte jeden z předchozích kroků.



Pás vychylující se doprava



Pás vychylující se doleva

5. Mazání běžeckého pásu

Spodní strana běžeckého pásu/plochy, resp. běžecká deska pod pásem vyžaduje pravidelnou údržbu v podobě mazání silikonovým olejem. Udržení správného napětí mezi pásem a deskou má velký vliv na životnost běžeckého pásu.

Postupujte následovně:

- a) Vypněte hlavní spínač pásu a mírně povolte běžecký pás/plochu.
- b) Čistým hadříkem setřete prach a nečistoty mezi pásem a deskou.
- c) Rovnoměrně naneste menší množství silikonového oleje shora mezi pás a desku v přední části pásu.
- d) Znovu napněte běžecký pás a uveďte jej do chodu, aby se olej roznesl po celé běžecké ploše.

Doporučujeme aplikovat přiložené mazadlo cca po prvních 40 hodinách provozu. Dále doporučujeme promazávat plošinu dle následujícího časového rozvrhu:

- při mírném používání (méně než 3 hodiny týdně) promazávat každých 5 měsíců
- při středním používání (4-7 hodin týdně) promazávat každé 2 měsíce
- při častém používání (více než 7 hodin týdně) promazávat každých 14 dní

Pravidelně také promazávejte přední a zadní válečky, abyste udrželi jejich maximální výkon.

Pravidelnou údržbou prodloužíte životnost stroje a můžete předejít zranění.

6. Čištění

Před čištěním se ujistěte, že je pás vypojený z elektrické sítě.

Pravidelně otírejte prach a nečistoty z povrchu celého běžeckého pásu pomocí měkkého navlhčeného hadříku. Po očištění pás otřete do sucha.

Dále je nutné průběžně odstraňovat prach z prostoru motoru a přilehlých částí (cca každé 2 měsíce). Odšroubujte plastový kryt nad motorem a celý prostor buď vysajte vysavačem (**OPATRNĚ**, abyste se nedotkli a nepoškodili tištěné spoje a všechny elektrické součástky), nebo pokud nechcete používat vysavač, použijte jemný štětec, kterým opatrně vše očistíte od prachu. Následně kryt opět nasadte na původní místo.

NEZAPOMEŇTE, ŽE PÁS MUSÍ BÝT PŘI TOMTO ČIŠTĚNÍ ODPOJENÝ OD ZDROJE ELEKTRICKÉHO PROUDU.

7. Skladování

Stroj je vybaven hydraulickým mechanismem, díky kterému lze běžecký pás/plochu snadno zvednout do vertikální polohy a ušetřit tak značné místo v době, kdy stroj nepoužíváte.

Před takovýmto zvednutím plochy musí být sklon běžeckého pásu ve výchozí pozici (tedy „0“). Stroj vypněte a odpojte napájecí kabel. Plochu jednoduše zdvihněte, ve správné pozici bude držet sama od sebe. Před manipulací se strojem se ujistěte, že je deska skutečně zajištěna. Složený stroj neuvádějte do provozu.

Pro sklopení plochy zpět do horizontální polohy stačí nohou stlačit (směrem k pásu) „kloub“ na vzpěrné tyči, která se nachází na spodní straně pásu. Plocha se poté začne samovolně a pozvolna sklápět dolů.

Skladujte pás ve vnitřních, suchých a čistých prostorách. Chraňte jej před přímým slunečním zářením a vysokými teplotami. Neodkládejte na pás žádné věci. Vyhněte se s pásem větší statické elektřině, která může narušit správné fungování měřičů či je dokonce poškodit. V zimním období skladujte a používejte pás v místnostech s přiměřenou vlhkostí.



Příčiny a řešení možných poruch

Č.	Porucha	Příčina	Řešení
1	Běžecský pás nelze spustit.	Bezpečnostní klíč není ve správné pozici	Nastavte bezpečnostní klíč do správné pozice.
		Hlavní spínač je vypnutý (v pozici „0“).	Zapněte hlavní spínač do polohy „1“.
2	Ovládací panel/displej nezobrazuje žádné informace.	Ovládací panel a řídicí jednotka jsou odpojeny/rozpojeny.	Kontaktujte servisní středisko. (Sejměte kryt motoru a panel s jednotkou znovu spojte.)
3	Tepová frekvence se nezobrazuje.	Snímače nejsou dostatečně vlhké.	Navlhčete lehce snímače vodou.
		Snímání je rušeno jiným elektromagnetickým polem.	Přemístěte pás na jiné místo. Zabraňte styku s elektromagnetickými vlnami.
4	Nastavení sklonu nefunguje.	Kabel motoru není správně zapojen.	Kontaktujte servisní středisko. (Sejměte kryt motoru a kabel správně zapojte.)
5	Běžecský pás/plocha prokluzuje.	Běžecský pás není dostatečně dotažený.	Dotáhněte běžecský pás.
6	Běžecský pás/plocha se vychyluje do stran.	Běžecský pás není seřízen.	Upravte odchylku běžecského pásu.

Pokud se vám nepodaří odstranit poruchu ani podle výše uvedených řešení, kontaktujte prosím co nejdříve náš odborný servis.

Zobrazování vlastní diagnostiky – chybová hlášení na displeji

Nastanou-li v činnosti běžického pásu nějaké potíže, druh závady se zobrazí na displeji.

V případě, že se taková závada objeví, neváhejte kontaktovat naše servisní středisko.

Kód poruchy	Popis poruchy (důvod)	Odstranění poruchy
E-01	Závada v komunikaci mezi řídicí jednotkou a ovládacím panelem/displejem.	<ul style="list-style-type: none"> Poškozený propojovací kabel – nutná oprava nebo výměna. Koncovka kabelu je vysunuta z konektorů – zasunout ji na pevně zpět do správné pozice. Poškozená řídicí jednotka – nutná oprava nebo výměna.
E-02	Špatné propojení mezi motorem a řídicí jednotkou (žádný signál z motoru).	<ul style="list-style-type: none"> Kontaktujte servisní středisko. Zkontrolujte zapojení kabelu motoru. Poškozený propojovací kabel – nutná oprava nebo výměna.
E-05	Přepětová ochrana – kolísání napětí v síti. Napětí překročilo značených 220-240 V.	<ul style="list-style-type: none"> Zjistěte skutečné napětí – po dosažení běžné výše kolem 220-240 V pás znovu zapněte. Zkontrolujte stav motoru a řídicí jednotky (v případě zápachu apod. je nutná výměna nebo oprava).
E-06	Přetížení / poškození motoru nebo řídicí jednotky.	Porucha motoru nebo řídicí jednotky – nutná oprava.
E-07	Není zapojený bezpečnostní klíč.	Přiložte bezpečnostní klíč na vyznačené magnetické kolečko pod displejem.

Cvičení na běžeckém pásu

Používání běžeckého pásu Vám pomůže zlepšit Vaši fyzickou kondici, zpevnit svaly a při kontrole přijímaných kalorií Vám pomůže snížit hmotnost.

1. Zahřívací fáze

Před každým cvičením je důležité se zahřát a protáhnout vhodnými dynamickými a statickými cviky, aby se tělo připravilo na výkon. Nejenže tak zvýšíte svůj pozdější fyzický výkon, ale především snížíte riziko poranění při samotném cvičení.

Během zahřívací fáze více rozproudíte Váš krevní oběh, zahřejete a připravíte svaly, aby správně fungovaly. Snížíte tak nebezpečí vzniku křečí a poranění svalů.

Doporučujeme provést několik protahovacích cviků, jak je ukázáno níže. V každém protažení byste měli vydržet po dobu asi 20-30 sekund, neprotahujte svaly prudkým pohybem a nepřepínejte je.



2. Fáze cvičení

Toto je fáze, do které vložte největší úsilí. Pravidelným cvičením se svaly vašich nohou stanou silnější a pružnější. Cvičte svým vlastním tempem. Optimální je cvičit na začátku 15–20 minut, po několika trénincích déle. Doporučujeme trénovat nejméně třikrát týdně, pokud možno s rovnoměrným časovým rozložením.

3. Zklidňující fáze

Po cvičení se opět nezapomeňte protáhnout a vhodnými spíše statickými cviky zklidnit své tělo/tepovou frekvenci, uvolnit svaly.

Tato fáze je nutná pro to, aby se Váš kardiovaskulární systém a Vaše svaly postupně uvolnily. Zopakujte protahovací cviky a znovu mějte na paměti, abyste svaly nepřetahovali a prudce nenapínali.

4. Snižování hmotnosti

Důležitým faktorem při snižování hmotnosti je množství přijímaných a vydávaných kalorií. Čím déle a usilovněji cvičíte, tím více jich spálíte. Je však zároveň třeba sledovat jejich příjem, zejména dát si pozor na tučná, sladká jídla a velikost porcí.

Záruční podmínky

Na nový výrobek zakoupený v prodejní síti Alza.cz se vztahuje záruka 2 roky. V případě potřeby opravy nebo jiného servisu v záruční době se obraťte přímo na prodejce výrobku, je nutné předložit originální doklad o koupi s datem nákupu.

Za rozpor se záručními podmínkami, pro který nelze reklamaci uznat, se považují následující skutečnosti:

- Používání výrobku k jinému účelu, než pro který je výrobek určen, nebo nedodržování pokynů pro údržbu, provoz a servis výrobku.
- Poškození výrobku živelnou pohromou, zásahem neoprávněné osoby nebo mechanicky vinou kupujícího (např. při přepravě, čištění nevhodnými prostředky apod.).
- přirozené opotřebení a stárnutí spotřebního materiálu nebo součástí během používání (např. baterií atd.).
- Působení nepříznivých vnějších vlivů, jako je sluneční záření a jiné záření nebo elektromagnetické pole, vniknutí kapaliny, vniknutí předmětu, přepětí v síti, elektrostatický výboj (včetně blesku), vadné napájecí nebo vstupní napětí a nevhodná polarita tohoto napětí, chemické procesy, např. použité zdroje atd.

Pokud někdo provedl úpravy, modifikace, změny konstrukce nebo adaptace za účelem změny nebo rozšíření funkcí výrobku oproti zakoupené konstrukci nebo použití neoriginálních součástí.

Používateľská príručka k výrobku obsahuje funkcie výrobku, návod na použitie a postup obsluhy. Pozorne si prečítajte používateľskú príručku, aby ste získali čo najlepšie skúsenosti a predišli zbytočnému poškodeniu. Túto príručku si uschovajte pre budúce použitie. Ak máte akékoľvek otázky alebo pripomienky k zariadeniu, obráťte sa na linku služieb zákazníkom.

✉ www.alza.sk/kontakt

☎ +421 257 101 800

Dovozca Alza.cz a.s., Jankovcova 1522/53, Holešovice, 170 00 Praha 7, www.alza.cz

Vážení zákazníci,

Ďakujeme vám za zakúpenie nášho výrobku. Tento bežecý pás vám pomôže splniť váš cieľ, ktorým je dobrá fyzická kondícia a správny rozvoj svalov v domácom prostredí.

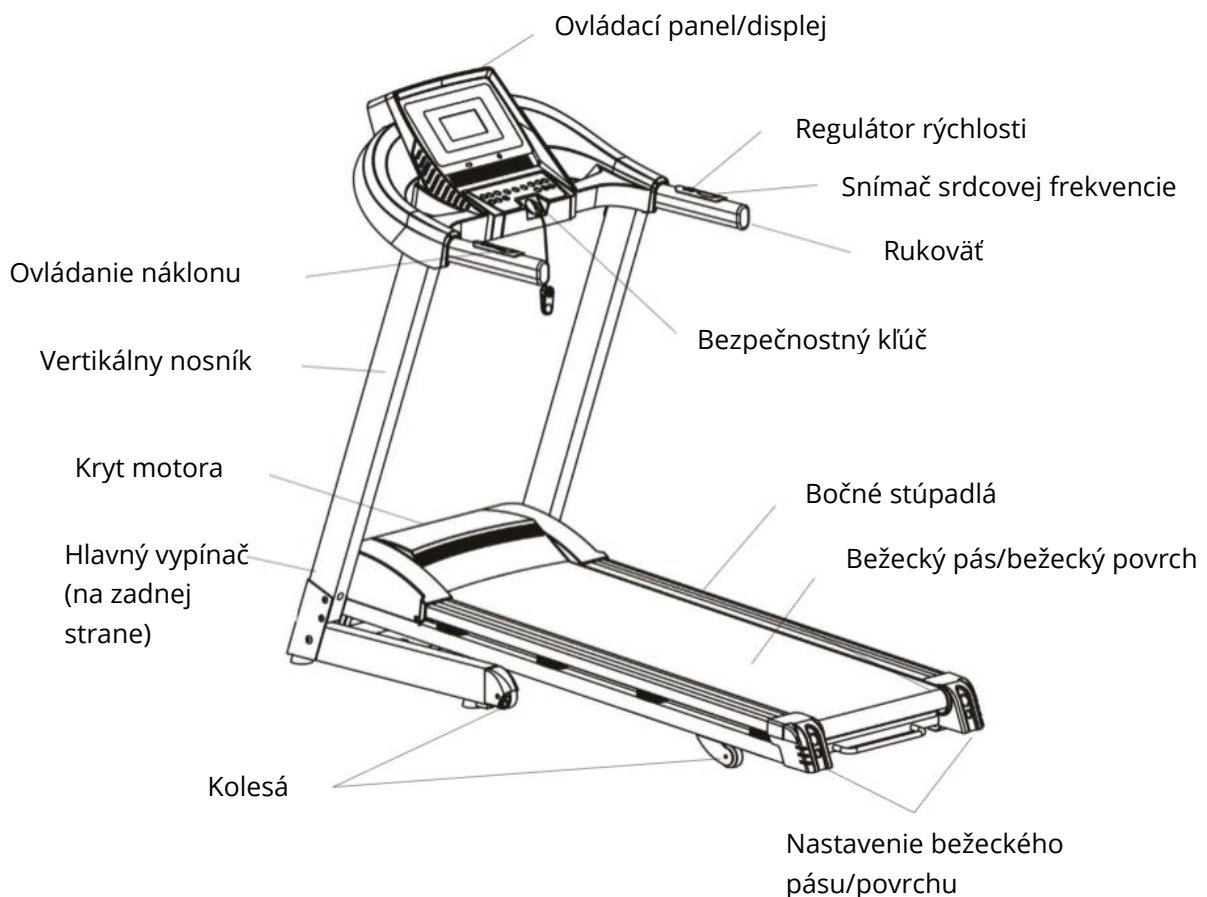
Pred uvedením pásu do prevádzky si pozorne prečítajte návod na montáž a obsluhu, a to aj v prípade, že ste stroj zakúpili zmontovaný.

Ak ste stroj zakúpili v pôvodnom kartónovom obale, t. j. v rozloženom prepravnom stave, venujte pozornosť návodu na montáž. Pred začatím montáže opatrne vyberte jednotlivé komponenty zo škatule, skontrolujte ich kompletnosť/poškodenie a postupujte podľa pokynov na montáž.

Veríme, že budete so zakúpeným výrobkom spokojní a stroj prispeje k upevneniu vášho zdravia. Prajeme vám veľa úspechov, vytrvalosti a sily pri dosahovaní vašich športových cieľov.

Stručný popis – technické parametre

Motorový bežecý pás TM-9030 s prehľadným ovládacím panelom a displejom zobrazujúcim údaje o priebehu cvičenia. Rozsah rýchlosti 1 – 18 km/h, 15 úrovní sklonu (elektronicky), snímače pulzovej frekvencie a ovládanie rýchlosti a sklonu na rukovätiach. Jednoduchý skladací mechanizmus na úsporu miesta pri skladovaní pásu.



Bežecský pás triedy H podľa normy EN ISO 20957-1, t. j. len na domáce použitie. Zariadenie nie je určené na komerčné použitie a vyššie výkonové zaťaženie. Prístroj sa nemôže používať ako terapeutické alebo rehabilitačné zariadenie. Trieda presnosti C (nízka).

Funkcie zobrazenia: rýchlosť, čas, vzdialenosť, srdcová frekvencia, kalórie, sklon

Typ displeja:	LCD 5"
Vstupné napätie:	220 – 240 V
Frekvencia:	50/60 Hz
Príkon:	1 500 W
Vstupný prúd:	16 A (jednopolový istič C)
Výkon motora:	2 HP
Prevádzková teplota:	0 – 40 °C
Rozsah zobrazenia rýchlosti:	1,0 – 18,0 km/h
Úrovne sklonu:	15 – elektronické nastavenia
Rozsah zobrazenia času:	0:00-99:59 (minúty: sekundy)
Rozsah zobrazenia vzdialenosti:	0,0 – 99,9 km
Rozsah zobrazenia srdcovej frekvencie:	50 – 200 úderov/min
Rozsah zobrazenia kalórií:	0 – 999
Maximálna nosnosť:	130 kg
Rozmery stroja (d × š × v):	1 560 × 700 × 1 210 mm
Hmotnosť stroja:	53 kg

Bezpečnostné pravidlá

1. Zástrčku zasunite priamo do zásuvky, nepoužívajte predlžovací kábel ani rozbočovač.
2. Stroj môže byť v nepretržitej prevádzke maximálne 2 hodiny.
3. Stroj umiestnite na pevný, rovný a čistý povrch a ubezpečte sa, že je stabilný. Pod pás sa odporúča umiestniť nejakú ochrannú vrstvu/podložku, aby sa zabránilo možnému poškodeniu podlahy. **Stroj nepoužívajte:**
 - a) vo vonkajšom prostredí (zariadenie je špeciálne navrhnuté na použitie vo vnútri),
 - b) na nerovnom povrchu,
 - c) na priamom slnečnom svetle alebo v blízkosti zdroja tepla,
 - d) vo vlhkom alebo mokrom prostredí,
 - e) v uzavretom priestore, v ktorom necirkuluje vzduch (nevetrané miestnosti), alebo v priestore s horľavou kvapalinou alebo plynom.
4. Okolo stroja nechajte voľný priestor s dĺžkou najmenej 0,6 m v smere prístupu (najlepšie zo všetkých strán). Voľný priestor musí zahŕňať aj priestor na núdzový východ zo stroja. Ak sa zariadenie nachádza v blízkosti iných zariadení, tento voľný priestor sa môže zdieľať.
5. Stroj nesmie stáť na hrubom koberci (s vysokým vlasom), inak nebude ventilácia fungovať správne.
6. K chybám môže dôjsť pri nestabilnom napájaní elektrickou energiou. Nepoužívajte rovnakú elektrickú zásuvku ako pre počítače, klimatizáciu atď.
7. Ak sa napájací kábel pokazí, vymeňte ho za napájací kábel dodaný výrobcom/dovozcom pásu. O výmenu požiadajte miestneho distribútora.
8. **Pravidelne kontrolujte všetky skrutky a matice, či sú správne utiahnuté.** Pravidelne kontrolujte všetky diely, ak sú poškodené, stroj nepoužívajte a poškodené diely okamžite vymeňte alebo kontaktujte svojho dodávateľa. Dbajte na to, aby žiadne z nastavovacích zariadení nevyčnievalo, pretože by mohlo brániť pohybu.
9. Pred prípadnou demontážou ochranného krytu pásu alebo pred vykonávaním údržby či výmeny dielov sa ubezpečte, že je hlavný vypínač vypnutý a stroj je odpojený od elektrickej siete.
10. Ak bežecký pás nepoužívate, odpojte ho od elektrickej siete a bezpečnostný kľúč uložte na bezpečné miesto mimo dosahu detí.

- 11.** Pod bežecový pás neumiestňujte žiadne predmety a nenechávajte deti ani domáce zvieratá hrať sa v blízkosti zloženého stroja (vyvýšené dno).
- 12.** Nezapínajte zariadenie, keď je zložené (spodná časť je zdvihnutá).
- 13.** Vniknutie vody, najmä do motora, napájacieho kábla alebo zástrčky, môže spôsobiť úraz elektrickým prúdom alebo smrť.
- 14.** Túto príručku si uschovajte na neskoršie použitie a na objednávanie náhradných dielov.
- 15.** Zariadenie nie je určené pre deti mladšie ako 14 rokov.
- 16.** Bežecový pás môže naraz používať len jedna osoba.
- 17.** Začiatocníci by sa mali pri chôdzi a behu na páse držať rukovätí, kým si pohyb na stroji úplne neosvoja.
- 18.** Po zapnutí hlavného vypínača sa postavte na bočné stúpalá vedúce pozdĺž pásu (nie priamo na jazdnú plochu), nastavte bezpečnostný kľúč do určenej polohy. Stlačte tlačidlo „ŠTART“, bežecový pás sa spustí na najnižšiu rýchlosť. V tomto okamihu môžete vstúpiť na samotnú bežecovú plochu a začať chodiť/bežať. Rýchlosť zvyšujte pomaly, aby ste sa vyhli zraneniu. Nevystupujte z bežecového pásu, ak sa bežecový pás pohybuje.
- 19.** Pred začatím cvičenia na stroji sa ubezpečte, že bezpečnostný kľúč je v správnej polohe a druhý koniec je pripevnený k vášmu oblečeniu. Toto opatrenie vám umožní rýchlo vybrať kľúč v nebezpečných situáciách, keď potrebujete neočakávane/okamžite zastaviť pás, aby ste zabránili zraneniu.
- 20.** Ak počas cvičenia na stroji sledujete televízor alebo sa venujete inej zábave, buďte mimoriadne opatrní. Iné súbežné činnosti môžu rozptýliť vašu pozornosť a spôsobiť stratu rovnováhy a zranenie.

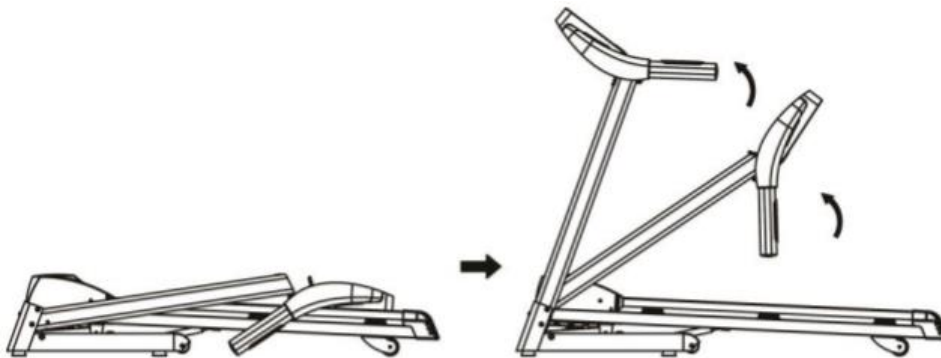
- 21.** Nesprávne používanie (napr. nadmerné cvičenie, prudké pohyby bez zahriatia, nesprávne nastavenie) môže poškodiť vaše zdravie. **Pred začatím cvičenia sa poraďte so svojim lekárom o svojom zdravotnom stave** (srdcový pulz, krvný tlak, ortopedické problémy atď.), najmä ak trpíte niektorým z nasledujúcich ochorení (vysoký krvný tlak, cukrovka, ochorenia dýchacích ciest, iné chronické alebo komplikované ochorenia), ak máte nadváhu, ak ste fajčiar alebo ak je používateľka tehotná alebo dojčiaca žena. Ak sa u vás počas cvičenia vyskytne niektorý z nižšie uvedených príznakov, okamžite prestaňte cvičiť a kontaktujte svojho lekára. Medzi takéto príznaky patrí bolesť/ tlak na hrudníku, nepravidelný srdcový tep, veľmi skrátané dýchanie, pocit na omdlenie, závraty, nevoľnosť.
- 22.** Deti, staršie osoby a tehotné ženy by nemali prístroj používať bez dozoru alebo bez konzultácie s lekárom.
- 23.** Výrobca nezodpovedá za žiadne zranenia, poškodenia alebo poruchy spôsobené používaním tohto výrobku alebo nesprávnou montážou a údržbou bežeckého pásu.
- 24.** O správnom spôsobe cvičenia sa poraďte s kondičným trénerom.
- 25.** Pri cvičení odporúčame nosiť pohodlné športové oblečenie a športovú obuv s mäkkou podrážkou. Oblečenie by nemalo byť príliš voľné, aby sa nezachytilo o stroj.
- 26.** Odložte si šperky (retiazky, prstene atď.).
- 27.** Nenechávajte začínajúcich bežcov, deti alebo domáce zvieratá bez dozoru na bežeckom pásu alebo v jeho blízkosti (najmä ak je v prevádzke), aby ste predišli možnému zraneniu. Tento stroj nie je hračka.
- 28.** Ak cvičíte na bežiacom pásu dlhšie ako 20 minút, ubezpečte sa, že dostatočne pijete.

Inštalácia a zoznam dielov

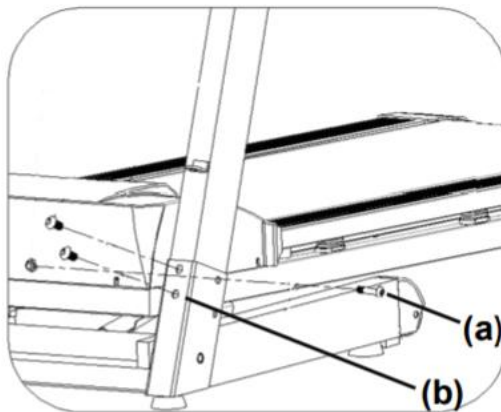
Nastavenie bežeckého pásu

Opatrne vyberte bežecký pás z prepravného obalu. Skontrolujte, či nechýbajú žiadne časti. Pri montáži bežeckého pásu nedotiahnite skrutky až do konca pred dokončením celej inštalácie.

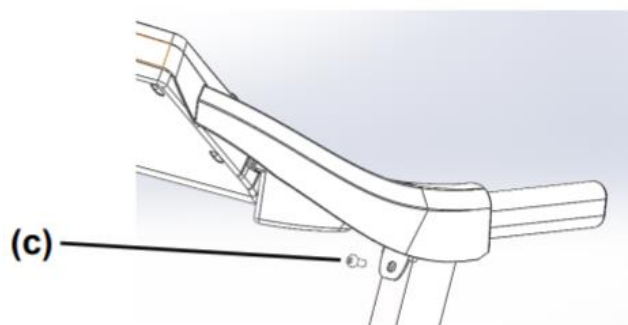
- A)** Umiestnite stroj na rovný povrch a postavte zvislé nosníky s ovládacím panelom v smere znázornenom na obrázku nižšie.



- B)** Použite kľúč č. 5 a upevnite nosníky k základni pásu pomocou skrutiek M8 × 55 (a). Nosníky upevnite pomocou skrutiek M8 × 28 (b).



C) Použite klúč č. 5 a upevnite ovládací panel k nosníkom pomocou skrutiek M8 × 28 (c).



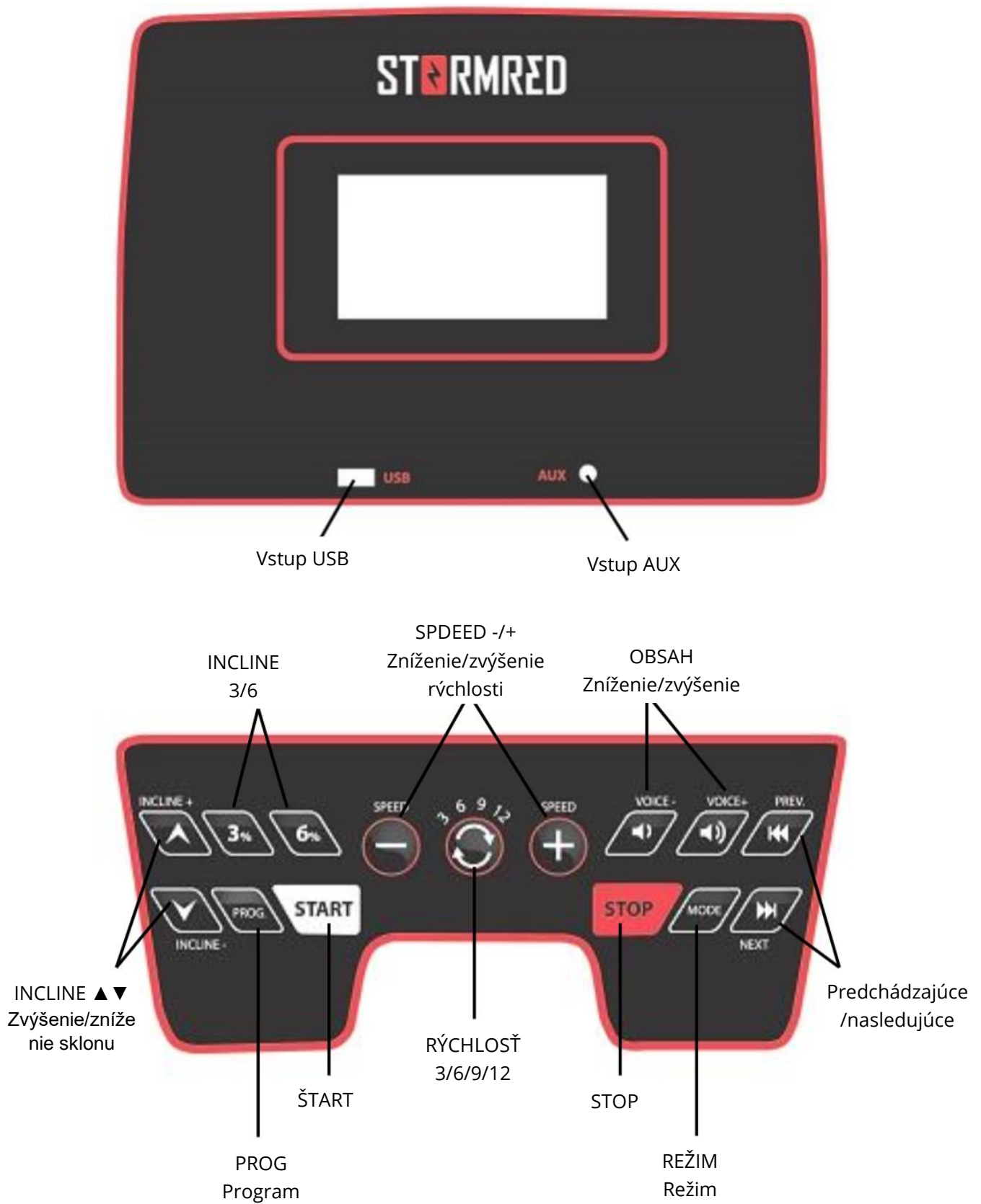
Bezpečnostný klúč – ak chcete stroj spustiť, umiestnite klúč do správnej polohy na ovládacom paneli.

Zoznam príslušenstva

Číslo	Názov	Počet	Číslo	Názov	Počet
1.	Vnútorý šesťhranný klúč 6 mm	1	5.	Matica M8	2
2.	Vnútorý šesťhranný klúč 5 mm	1	6.	Bezpečnostný klúč	1
3.	Skrutka M8 × 55	2	7.	Silikónový olej	1
4.	Skrutka M8 × 28	6	8.	Kábel MP3	1

Používanie a prevádzka

1. Ovládací panel a funkcie



(1) „ŠTART/STOP"

Keď ste pripravení pás spustiť, stlačte tlačidlo „ŠTART" a pás sa začne pohybovať rýchlosťou 1,0 km/h. Stlačením tlačidla „STOP" zastavíte pohyb pásu. Ak je pás spustený a pohybuje sa rýchlosťou vyššou ako 3,5 km/h, stlačte toto tlačidlo a začne spomaľovať až do úplného zastavenia. Počas tohto spomalenia ostatné tlačidlá nereagujú. Ak sa pás pohybuje rýchlosťou nižšou ako 3 km/h, stlačte toto tlačidlo a okamžite sa zastaví. Pás sa spustí po krátkom odpočítavaní. Tlačidlá „ŠTART/STOP" sa nachádzajú aj na ľavej rukoväti.

(2) „INCLINE ▲ ▼"

Keď je pás v chode, stlačením tlačidla „▲" alebo "▼" zvýšte alebo znížte sklon pásu na požadovanú hodnotu.

(3) „SPEED +/-"

Keď je pás v chode, stlačením tlačidla „+" alebo „-" zvýšte alebo znížte rýchlosť na požadovanú hodnotu. Tlačidlá je možné použiť aj v režime nastavenia.

(4) „RÝCHLOSŤ 3/6/9/12" (km/h)

Keď je pás v chode, stlačením jedného z týchto tlačidiel sa automaticky nastaví rýchlosť na požadovanú úroveň ("skrátená voľba rýchlosti").

(5) „INCLINE 3/6"

Keď je pás v chode, stlačením jedného z týchto tlačidiel sa automaticky nastaví sklon pásu na požadovanú úroveň („skrátená voľba sklonu").

(6) „PROG" (môžete stlačiť a podržať, kým sa nezobrazí požadovaný program)

Stlačením tlačidla „PROG" vyberte manuálny režim alebo jeden z 12 prednastavených programov P1 – P12.

Stlačením tlačidla „FAT" (alebo posledným stlačením tlačidla „Program") môže prístroj určiť približný obsah vášho telesného tuku (Body Mass Index). Výber režimu potvrdíte stlačením tlačidla „MODE". Potom pomocou tlačidiel „SPEED +/-" zadajte parametre meranej osoby (F1 – pohlavie: muž = 1/žena = 2, F2 – vek, F3 - výška, F4 – hmotnosť) a každú hodnotu potvrdíte stlačením tlačidla „MODE". Ihneď po zadaní a potvrdení poslednej hodnoty sa zobrazí správa „F5 - - -", v tomto okamihu položte obe ruky na snímače srdcovej frekvencie. Po chvíli sa na displeji zobrazí hodnota (percento) telesného tuku meranej osoby.

Výsledok testu	≤19	Podváha
	20 – 25	Normálna hmotnosť
	25 – 29	Nadváha
	≥30	Obezita

(7) „MODE“

Pomocou tlačidla „MODE“ vyberte jeden z režimov odpočítavania (čas, vzdialenosť, alebo kalórie). Jednotlivé režimy odpočítavania (počiatočné hodnoty) môžete nastaviť pomocou tlačidiel SPEED+/- . Východiskové hodnoty: 30 minút/1 kilometer/50 kcal.

Po výbere jedného z režimov stlačte tlačidlo „START“, čím potvrdíte svoju voľbu a pás sa môže spustiť. Keď odpočítavanie prejde z počiatočnej hodnoty na nulu, pás zapípa a pomaly sa zastaví.

(8) „VOLUME ▲▼“

Stláčaním tlačidiel ovládajte hlasitosť prehrávanej hudby.

(9) „Previous/Next ◀▶“

Stláčaním tlačidiel môžete ovládať prehrávanie hudby alebo prepínať medzi skladbami (predchádzajúca/nasledujúca).

(10) „Vstup USB“

Súbory (skladby) na jednotke USB musia byť uložené na jednej (prvej) úrovni, t. j. nie v priečinkoch.

(11) „Bezpečnostný kľúč“

Ak kľúč nie je v správnej polohe, bežecký pás sa nedá spustiť. V prípade potreby vytiahnite kľúč a bežecký pás sa okamžite zastaví (pri vyšších rýchlostiach môže trvať niekoľko sekúnd, kým sa bežecký pás úplne zastaví).

2. Prvé spustenie stroja

- 1) Zástrčku zasunite do uzemnenej zásuvky. Prepnete hlavný vypínač, ktorý sa nachádza na ráme, do polohy „1“.
- 2) Na zapnutie napájania vložte bezpečnostný kľúč do správnej polohy, tým zapnete el. obvod stroja. Stlačte tlačidlo „ŠTART“ a nechajte pás voľne bežať (bez zaťaženia). Skontrolujte stav bežiaceho pásu (od nízkej po vysokú rýchlosť) a potom stlačte tlačidlo „STOP“.
- 3) Ak je všetko v poriadku, môžete zariadenie začať používať.
- 4) Druhý koniec bezpečnostného kľúča si pripevnite k odevu a postavte sa na bočné stúpadlá.
- 5) Stlačte tlačidlo „START“, pás vykoná krátke odpočítavanie so zvukovým signálom a začne sa pohybovať najnižšou rýchlosťou (1,0 km/h).
- 6) Teraz môžete nastúpiť priamo na pás a začať bežať.
- 7) Ak chcete cvičenie bezpečne ukončiť, najprv stlačte tlačidlo „STOP“. Nechajte pás, aby sa sám pomaly zastavil, a potom z neho zostúpte. Vypnite hlavný vypínač.

3. Meranie srdcovej frekvencie

Tento bežecký pás dokáže merať vašu pulzovú frekvenciu pomocou snímačov na rukovätiach. Namerané údaje sú len orientačné.

Ak chcete skontrolovať srdcovú frekvenciu, položte obe ruky na snímače (uchopte rukoväť v mieste, kde sú snímače v dlaniach).

4. Prednastavené programy

Pôvodné nastavenie času programov je 10 minút. Pred spustením programu môžete zmeniť celkovú dĺžku programu (čas behu) stlačením tlačidiel SPEED alebo INCLINE. Rozsah nastavenia dĺžky je 5 – 99 minút (min. – max.). Programy sú rozdelené do 10 fáz, ktoré trvajú rovnako dlho. Čím kratšiu celkovú dĺžku programu zvolíte, tým kratšie budú jednotlivé fázy a naopak. Napríklad 10-minútový program trvá 1 minútu na jednu fázu, zatiaľ čo 5-minútový program trvá len 30 sekúnd. Keď je program spustený, pri zmene fázy programu zaznie zvukový signál.

Fázy

Program		1	2	3	4	5	6	7	8	9	10
P1	RÝCHLOŠŤ	3	3	6	5	5	4	4	4	4	3
	INCLINE	0	3	3	3	4	4	4	1	1	0
P2	RÝCHLOŠŤ	3	3	4	4	5	5	5	6	6	4
	INCLINE	2	2	2	3	3	3	3	4	4	2
P3	RÝCHLOŠŤ	2	4	6	8	7	8	6	2	3	2
	INCLINE	3	5	4	4	3	4	4	3	4	2
P4	RÝCHLOŠŤ	3	3	5	6	7	6	5	4	3	3
	INCLINE	0	3	3	2	2	5	5	3	3	2
P5	RÝCHLOŠŤ	3	6	6	6	8	7	7	5	5	4
	INCLINE	3	5	3	4	2	3	4	2	3	2
P6	RÝCHLOŠŤ	2	6	5	4	8	7	5	3	3	2
	INCLINE	3	4	5	6	3	5	5	6	4	3
P7	RÝCHLOŠŤ	2	9	9	7	7	6	5	3	2	2
	INCLINE	0	3	3	3	4	4	4	1	1	0
P8	RÝCHLOŠŤ	2	4	4	4	5	6	8	8	6	2
	INCLINE	1	1	4	4	4	5	5	4	3	2
P9	RÝCHLOŠŤ	2	4	5	5	6	5	6	3	3	2
	INCLINE	3	5	3	4	2	3	4	2	3	2
P10	RÝCHLOŠŤ	2	5	7	5	8	6	5	2	4	3
	INCLINE	1	5	6	8	12	9	10	9	5	3
P11	RÝCHLOŠŤ	2	5	6	7	8	9	10	5	3	2
	INCLINE	3	5	6	8	6	5	8	7	5	2
P12	RÝCHLOŠŤ	2	3	5	6	8	6	9	6	5	3
	INCLINE	5	7	5	8	6	5	9	10	6	2

Údržba a skladovanie

1. Skontrolujte nastavenie klinového remeňa a bežeckého pásu

Ak sa zdá, že bežecký pás preklzáva, postupujte podľa týchto krokov, aby ste zistili, ktorá časť je uvoľnená a treba ju utiahnuť, či bežecký pás (povrch) alebo klinový remeň na motore.

- a) Vypnite hlavný vypínač a odpojte pás od napájania (zo zásuvky). Uvoľnite bočné skrutky na kryte motora a stiahnite kryt nadol.
- b) Opäť zapnite pás a nastavte rýchlosť na približne 3 km/h. Postavte sa na pás a pokúste sa ho zastaviť ľahkým krokom proti pohybu pásu.
- c) Ak sa bežecký pás (povrch) zastaví spolu s predným valcom, znamená to, že je potrebné napnúť klinový remeň motora.
- d) Ak sa bežecký pás (povrch) zastaví, ale predný valec sa stále otáča, znamená to, že bežecký pás (povrch) je potrebné viac napnúť.
- e) Po dokončení tejto kontroly a nastavenia naskrutkujte kryt motora späť.

2. Nastavenie klinového remeňa

Odpojte pás od napájania a odstráňte ochranný kryt motora. Uvoľnite štyri skrutky na motore a potom otočte špeciálnu nastavovaciu skrutku na nastavenie. Skrutkujte v smere hodinových ručičiek. Potom naskrutkujte späť všetky štyri skrutky na motore.

Zapojte pás do zdroja napájania a opäť skontrolujte, či je klinový remeň dostatočne napnutý. Ak je potrebné remeň ešte utiahnuť, zopakujte túto operáciu ešte raz.

3. Úprava bežeckého pásu/povrchu

Otočte dve skrutky na koncoch pásu v rovnakom smere o pol otáčky, ako je znázornené na obrázkoch nižšie. Ak pás/povrch stále kľže, zopakujte predchádzajúci krok. Vďaka tomuto nastaveniu môžete nechať pás bežať rýchlosťou približne 5 – 6 km/h.



Napnutie remeňa –
skrutka v smere
hodinových ručičiek



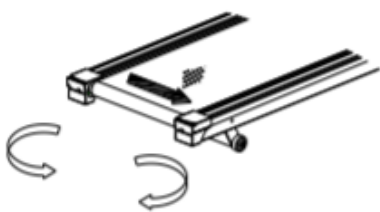
Zapnutie remeňa –
skrutka proti smeru
hodinových ručičiek

4. Nastavenie odchýlky bežeckého pásu

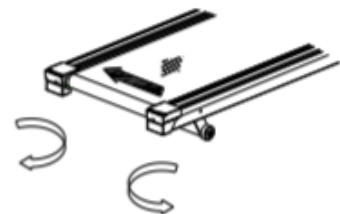
Počas používania pásu sa môže jazdná plocha začať nakláňať do strán. V takom prípade je potrebné bežecký pás znovu vycentrovať podľa nasledujúcich krokov:

- a) Umiestnite pás na vodorovný povrch a nastavte rýchlosť na približne 5 – 6 km/h.
- b) Ak sa bežecký pás vychýli doprava, otočte pravú skrutku na konci bežeckého pásu o pol otáčky v smere hodinových ručičiek a ľavú skrutku o pol otáčky proti smeru hodinových ručičiek.
- c) Ak sa bežecký pás vychýli doľava, otočte ľavú skrutku na konci bežeckého pásu o pol otáčky v smere hodinových ručičiek a pravú skrutku o pol otáčky proti smeru hodinových ručičiek.

Ak sa pás stále vychýľuje do strany, zopakujte jeden z predchádzajúcich krokov.



Pás sa vychýlil doprava



Pás sa vychýlil doľava

5. Mazanie bežeckého pásu

Spodná časť bežeckého pásu/povrchu alebo bežecká doska pod bežeckým pásom si vyžaduje pravidelnú údržbu vo forme mazania silikónovým olejom. Udržiavanie správneho napätia medzi pásom a doskou má veľký vplyv na životnosť bežeckého pásu.

Postupujte takto:

- a) Vypnite hlavný vypínač pásu a mierne uvoľnite bežecký pás/povrch bežeckého pásu.
- b) Prach a nečistoty medzi pásom a doskou utrite čistou handričkou.
- c) Rovnomerne naneste malé množstvo silikónového oleja zhora medzi remeň a dosku v prednej časti remeňa.
- d) Znovu napnite bežecký pás a uveďte ho do pohybu, aby sa olej rozotrel po celej bežeckej ploche.

Približne po prvých 40 hodinách prevádzky odporúčame použiť priložené mazivo. Odporúčame tiež mazanie plošiny podľa nasledujúceho harmonogramu:

- Pri stredne intenzívnom používaní (menej ako 3 hodiny týždenne) sa maže každých 5 mesiacov
- Pri miernom používaní (4 – 7 hodín týždenne) mazanie každé 2 mesiace
- Pri častom používaní (viac ako 7 hodín týždenne) mazať každých 14 dní

Pravidelne mazať aj predné a zadné valce, aby sa zachoval maximálny výkon.

Pravidelná údržba predĺži životnosť stroja a môže zabrániť zraneniam.

6. Čistenie

Pred čistením sa ubezpečte, že je pás odpojený od elektrickej siete.

Pravidelne utierajte prach a nečistoty z celého povrchu bežeckého pásu mäkkou vlhkou handričkou. Po čistení bežecký pás utrite do sucha.

Je tiež potrebné priebežne odstraňovať prach z motorového priestoru a príslušných častí (približne každé 2 mesiace). Odskrutkujte plastový kryt nad motorom a celý priestor buď vysajte vysávačom (**DÔLEŽITÉ je, aby ste sa nedotkli alebo nepoškodili tlačené spoje a všetky elektrické komponenty**), alebo ak nechcete použiť vysávač, jemne očistite prach mäkkou kefou. Potom nasadte kryt späť na miesto.

NEZABUDNITE, ŽE PÁS MUSÍ BYŤ POČAS TOHTO ČISTENIA ODPOJENÝ OD ZDROJA NAPÁJANIA.

7. Skladovanie

Stroj je vybavený hydraulickým mechanizmom, vďaka ktorému je možné bežecký pás/plochu ľahko zdvihnúť do vertikálnej polohy, čím sa ušetrí značný priestor, keď sa stroj nepoužíva.

Pred takýmto zdvihnutím povrchu musí byť sklon bežeckého pásu vo východiskovej polohe (t. j. „0“). Vypnite zariadenie a odpojte napájací kábel. Stačí zdvihnúť povrch a ten sa sám udrží v správnej polohe. Pred manipuláciou so strojom sa ubezpečte, že je doska skutočne zaistená. Stroj nepoužívajte, keď je zložený.

Ak chcete povrch sklopiť späť do vodorovnej polohy, jednoducho stlačte nohou „klb“ na zvislej tyči umiestnenej na spodnej strane pásu (smerom k pásu). Povrch sa potom začne samovoľne a pomaly nakláňať smerom nadol.

Pás skladujte v interiéri na čistom a suchom mieste. Chráňte ho pred priamym slnečným žiarením a vysokými teplotami. Na pás neodkladajte žiadne predmety. Vyhnite sa pri manipulácii s pásom vysokej statickej elektriny, ktorá môže narušiť správne fungovanie meračov alebo ich dokonca poškodiť. Počas zimy skladujte a používajte pás v miestnostiach s primeranou vlhkosťou.



Príčiny a riešenia možných porúch

Č.	Zlyhanie	Príčina	Riešenie
1	Bežecový pás sa nedá spustiť.	Bezpečnostný kľúč nie je v správnej polohe	Bezpečnostný kľúč dajte do správnej polohy.
		Hlavný vypínač je vypnutý (v polohe „0“).	Otočte hlavný vypínač do polohy „1“.
2	Na ovládacom paneli/displeji sa nezobrazujú žiadne informácie.	Ovládací panel a riadiaca jednotka sú odpojené/rozpojené.	Kontaktujte servisné stredisko. (Odstráňte kryt motora a znovu pripojte panel k jednotke.)
3	Pulzová frekvencia sa nezobrazuje.	Senzory nie sú dostatočne vlhké.	Senzory mierne navlhčite vodou.
		Snímanie je rušené iným elektromagnetickým poľom.	Presuňte pás na iné miesto. Vyhnite sa kontaktu s elektromagnetickými vlnami.
4	Nastavenie sklonu nefunguje.	Kábel motora nie je správne pripojený.	Kontaktujte servisné stredisko. (Odstráňte kryt motora a správne pripojte kábel.)
5	Bežecový pás/povrch sa šmýka.	Bežecový pás nie je dostatočne utiahnutý.	Utiahnite bežecový pás.
6	Bežecový pás/povrch sa vychýľuje do strán.	Bežecový pás nie je nastavený.	Upravte odchýlku bežecového pásu.

Ak sa vám nepodarí odstrániť poruchu ani pomocou vyššie uvedených riešení, čo najskôr sa obráťte na náš odborný servis.

Zobrazenie autodiagnostiky – chybové hlásenia na displeji

Ak sa vyskytnú problémy s bežeckým pásom, na displeji sa zobrazí typ poruchy.

V prípade takejto poruchy sa neváhajte obrátiť na naše servisné stredisko.

Kód poruchy	Popis poruchy (dôvod)	Riešenie problémov
E-01	Porucha komunikácie medzi riadiacou jednotkou a ovládacím panelom/displejom.	<ul style="list-style-type: none">• Poškodený prepojovací kábel – potrebná oprava alebo výmena.• Koniec kábla je vytiahnutý z konektorov – pevne ho zatlačte späť na miesto.• Poškodená riadiaca jednotka - potrebná oprava alebo výmena.
E-02	Zlé spojenie medzi motorom a riadiacou jednotkou (žiadny signál z motora).	<ul style="list-style-type: none">• Kontaktujte servisné stredisko.• Skontrolujte zapojenie kábla motora.• Poškodený prepojovací kábel – potrebná oprava alebo výmena.
E-05	Prepätová ochrana – kolísanie napätia v sieti. Napätie prekročilo vyznačenú hodnotu 220 – 240 V.	<ul style="list-style-type: none">• Skontrolujte skutočné napätie – zapnite pás, keď dosiahne normálnu úroveň približne 220 – 240 V.• Skontrolujte stav motora a riadiacej jednotky (v prípade zápachu atď. je potrebná výmena alebo oprava).
E-06	Preťaženie/poškodenie motora alebo riadiacej jednotky.	Porucha motora alebo riadiacej jednotky – nutná oprava.
E-07	Bezpečnostný kľúč nie je pripojený.	Pripevnite bezpečnostný kľúč k magnetickému koliesku pod displejom.

Cvičenie na bežiacom páse

Používanie bežeckého pásu vám pomôže zlepšiť kondíciu, spevniť svaly a schudnúť, pričom budete mať pod kontrolou príjem kalórií.

1. Zahrievacia fáza

Pred každým cvičením je dôležité sa zahriať a precvičiť vhodnými dynamickými a statickými cvikmi, aby sa telo pripravilo na cvičenie. To nielenže zvýši vašu neskoršiu fyzickú výkonnosť, ale predovšetkým zníži riziko zranenia počas samotného cvičenia.

Počas zahrievacej fázy viac rozprúdite krvný obeh, zahrejete sa a pripravíte svaly na správnu funkciu. Zníži sa tak riziko kŕčov a svalových zranení.

Odporúčame vykonať niekoľko strečingových cvičení, ako je uvedené nižšie. Pri každom cviku by ste mali vydržať približne 20 – 30 sekúnd, svaly nenapínajte prudkým pohybom a nepreťahujte ich.



2. Fázy cvičenia

V tejto fáze vynakladáte najväčšie úsilie. Pravidelným cvičením sa svaly nôh posilnia a stanú sa pružnejšími. Cvičte vlastným tempom. Na začiatku je optimálne cvičiť 15 – 20 minút, po niekoľkých tréningoch dlhšie. Odporúčame trénovať aspoň trikrát týždenne, najlepšie s rovnomerným časovým rozložením.

3. Upokojujúca fáza

Po tréningu sa nezapomnite opäť ponahať a vhodnými statickými cvikmi upokojiť svoje telo/teplotu, uvoľniť svaly.

Táto fáza je potrebná na to, aby sa váš kardiovaskulárny systém a svaly postupne uvoľnili. Opakujte strečingové cvičenia, pričom nezabúdajte na to, aby ste svaly príliš nenaťahovali ani prudko nenapínali.

4. Zníženie hmotnosti

Dôležitým faktorom pri chudnutí je množstvo prijatých a vydaných kalórií. Čím dlhšie a intenzívnejšie cvičíte, tým viac spaľujete. Musíte však sledovať aj príjem potravy, najmä si dávať pozor na tučné a sladké jedlá a veľkosť porcií.

Záručné podmienky

Na nový výrobok zakúpený na Alza.cz sa vzťahuje 2-ročná záruka. V prípade potreby opravy alebo iného servisu počas záručnej doby sa obráťte priamo na predajcu výrobku, je potrebné predložiť originálny doklad o kúpe s dátumom nákupu.

Za porušenie záruky, pre ktoré nie je možné uznať reklamáciu, sa považuje:

- Používanie výrobku na iný účel, než na aký je výrobok určený, alebo nedodržovanie pokynov na údržbu, prevádzku a servis výrobku.
- Poškodenie výrobku v dôsledku živelnej pohromy, neoprávnenej osoby alebo mechanického zavinenia kupujúceho (napr. počas prepravy, čistenia nesprávnymi prostriedkami atď.).
- Prírodné opotrebovanie a starnutie spotrebného materiálu alebo komponentov počas používania (napr. batérie atď.).
- Pôsobenie nepriaznivých vonkajších vplyvov, ako je slnečné a iné žiarenie alebo elektromagnetické pole, vniknutie kvapaliny, vniknutie predmetov, prepätie v sieti, elektrostatický výboj (vrátane blesku), nespórovne napájacie alebo vstupné napätie a nesprávna polarita tohto napätia, chemické procesy, napr. použité napájacie zdroje atď.

Ak niekto vykonal úpravy, modifikácie, zmeny dizajnu alebo adaptácie s cieľom zmeniť alebo rozšíriť funkcie výrobku oproti zakúpenému dizajnu alebo použiť neoriginálne diely.

A termék felhasználói kézikönyve tartalmazza a termék funkcióit, a használati utasításokat és az üzemeltetési eljárást. Olvassa el figyelmesen a használati útmutatót, hogy a legjobb élményt kapja, és elkerülje a felesleges károkat. Tartsa meg ezt a kézikönyvet a későbbi használatra. Ha bármilyen kérdése vagy észrevétele van a berendezéssel kapcsolatban, kérjük, forduljon az ügyfélszolgálathoz.

✉ www.alza.hu/kapcsolat

☎ +36-1-701-1111

Importőr Alza.cz a.s., Jankovcova 1522/53, Holešovice, 170 00 Prága 7, www.alza.cz

Kedves Ügyfelünk!

Köszönjük, hogy megvásárolta termékünket. Ez a futópad segít Önnek abban, hogy otthoni környezetében elérje a jó fizikai kondícióra és az izmok megfelelő fejlesztésére irányuló célját.

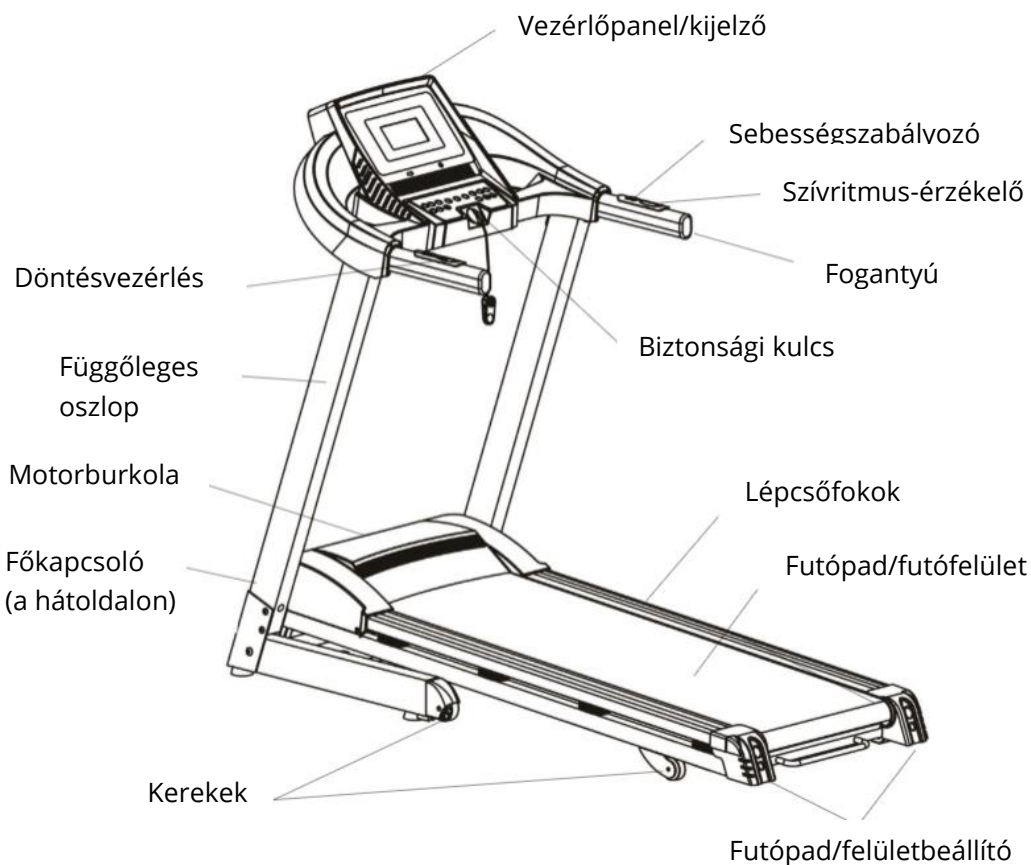
Kérjük, hogy a futópad üzembe helyezése előtt figyelmesen olvassa el az összeszerelési és kezelési útmutatót, még akkor is, ha a gépet összeszerelve vásárolta.

Ha a gépet az eredeti kartoncsomagolásban, azaz szétszerelt szállítási állapotban vásárolta, kérjük, vegye figyelembe az összeszerelési utasításokat. Az összeszerelés megkezdése előtt óvatosan vegye ki az egyes alkatrészeket a dobozból, ellenőrizze azok teljességét/károsodását, és kövesse az összeszerelési utasításokat.

Hisszük, hogy elégedett lesz a megvásárolt termékkel, és a gép hozzájárul az egészségének megerősítéséhez. Sok sikert, kitartást és erőt kívánunk a sportcélok eléréséhez.

Rövid leírás - műszaki paraméterek

TM-9030 motoros futópad áttekinthető kezelőpanellel és az edzés előrehaladásáról szóló adatokat megjelenítő kijelzővel. Sebességtartomány 1-18 km/h, 15 emelkedési szint (elektronikus), pulzusszám-érzékelők, sebesség- és emelkedésszabályozás a fogantyúkon. Könnyen használható összecsukható mechanizmus, hogy helyet takarítson meg a futópad tárolásakor.



H osztályú futópad az EN ISO 20957-1 szabvány szerint, azaz kizárólag otthoni használatra. A gépet nem kereskedelmi használatra és nagyobb teljesítményű terhelésekre tervezték. A gép nem használható terápiás vagy rehabilitációs eszközként. C pontossági osztály (alacsony).

Kijelző funkciók: sebesség, idő, távolság, pulzusszám, kalória, emelkedés

A kijelző típusa:	LCD 5"
Bemeneti feszültség:	220-240 V
Frekvencia:	50/60 Hz
Tápfeszültség bemenet:	1 500 W
Bemeneti áram:	16 A (egypólusú C megszakító)
Motorteljesítmény:	2 LE
Üzemi hőmérséklet:	0-40 °C
Sebességkijelző tartomány:	1,0-18,0 km/h
Lejtőszintek:	15 - elektronikus beállítások
Időmegjelenítési tartomány:	0:00-99:59 (percek: másodpercek)
A távolság kijelzésének tartománya:	0,0-99,9 km
Szívritmus-kijelző tartomány:	50-200 ütés/perc
Kalória kijelzési tartomány:	0-999
Maximális terhelhetőség:	130 kg
A gép méretei (H × Sz × M):	1560 × 700 × 1210 mm
A gép súlya:	53 kg

Biztonsági szabályok

1. Helyezze a dugót közvetlenül a konnektorba, ne használjon hosszabbítót vagy elosztót.
2. A gép legfeljebb 2 órán keresztül lehet folyamatos üzemben.
3. Helyezze a gépet szilárd, vízszintes és tiszta felületre, és győződjön meg arról, hogy stabilan áll. Ajánlatos valamilyen védőréteget/párnát tenni a futópad alá, hogy megelőzzük a padló esetleges sérülését. **Ne használja a gépet:**
 - a) kültéren (a készüléket kifejezetten beltéri használatra tervezték),
 - b) egyenetlen felületeken,
 - c) közvetlen napfényben vagy hőforrás közelében,
 - d) nedves vagy nyirkos környezetben,
 - e) zárt térben, ahol a levegő nem kering (szellőztelen helyiségek), vagy olyan területen, ahol gyúlékony folyadék vagy gáz található.
4. Hagyjon legalább 0,6 m szabad területet a gép körül a hozzáférés irányában (lehetőleg minden oldalon). A szabad térben helyet kell biztosítani a gépből való vészkijárat számára is. Ha a berendezés más berendezések közelében található, ez a szabad hely megsztható.
5. A gép nem állhat vastag szőnyegen (magas bolyhos), különben a szellőzés nem működik megfelelően.
6. Hibák akkor fordulhatnak elő, ha az áramellátás instabil. Kérjük, ne használja ugyanazt az elektromos csatlakozót, mint a számítógépek, légkondicionálók stb. számára.
7. Ha a tápkábel meghibásodik, cserélje ki a szíj gyártója/importőre által biztosított tápkábellel. A csere érdekében forduljon a helyi forgalmazóhoz.
8. **Rendszeresen ellenőrizze az összes csavart és anyát, hogy megfelelően megvannak-e húzva.** Rendszeresen ellenőrizze az összes alkatrészt, ha sérült, ne használja a gépet, és azonnal cserélje ki a sérült alkatrészeket, vagy lépjen kapcsolatba a beszállítóval. Győződjön meg róla, hogy egyik beállítóeszköz sem áll ki, mert akadályozhatja a mozgást.
9. Mielőtt szükség esetén eltávolítaná a szíjvédőt, esetleg karbantartást vagy alkatrészcserét végezne, győződjön meg arról, hogy a főkapcsoló ki van kapcsolva, és a gép le van választva a hálózatról.

- 10.** Ha nem használja a futópadot, húzza ki a hálózatból, és a biztonsági kulcsot tartsa biztonságos helyen, gyermekek elől elzárva.
- 11.** Ne helyezzen semmilyen tárgyat a futópad alá, és ne engedje, hogy a gyerekek vagy háziállatok az összezsukott gép közelében játszanak (megemelt alsó rész).
- 12.** Ne kapcsolja be a készüléket, ha az össze van hajtva (alsó része felhajtva).
- 13.** A víz bejutása, különösen a motorba, a tápkábelbe vagy a dugaszba, áramütést vagy halált okozhat.
- 14.** Tartsa meg ezt a kézikönyvet a későbbi használatra és a pótalkatrészek megrendeléséhez.
- 15.** A berendezés nem 14 év alatti gyermekek számára készült.
- 16.** A futópadot egyszerre csak egy személy használhatja.
- 17.** A kezdőknek a fogantyúba kell kapaszkodniuk, miközben az övön sétálnak és futnak, amíg teljesen el nem sajátítják a gépen végzett mozgást.
- 18.** A főkapcsoló bekapcsolása után álljon az öv mentén futó oldallépcsőkre (ne közvetlenül a járófelületre), állítsa a biztonsági kulcsot a megadott állásba. Nyomja meg a "START" gombot, a futópad a legalacsonyabb sebességgel indul. Ezen a ponton beléphet magára a futófelületre, és elkezdhet sétálni/futni. A sérülések elkerülése érdekében lassan növelje a sebességet. Ne szálljon le a futópadról, ha az öv mozgásban van.
- 19.** Mielőtt elkezdené az edzést a gépen, győződjön meg arról, hogy a biztonsági kulcs a megfelelő helyzetben van, és a másik vége a ruházatához van rögzítve. Ez az óvintézkedés lehetővé teszi a kulcs gyors eltávolítását olyan veszélyes helyzetekben, amikor a sérülések elkerülése érdekében váratlanul/azonnal meg kell állítani a szíjat.
- 20.** Ha a gépen végzett edzés közben tévét néz vagy más szórakozást folytat, kérjük, legyen különösen óvatos. Más, egyidejűleg végzett tevékenységek megzavarhatják a koncentrációját, és egyensúlyvesztéshez és sérüléshez vezethetnek.

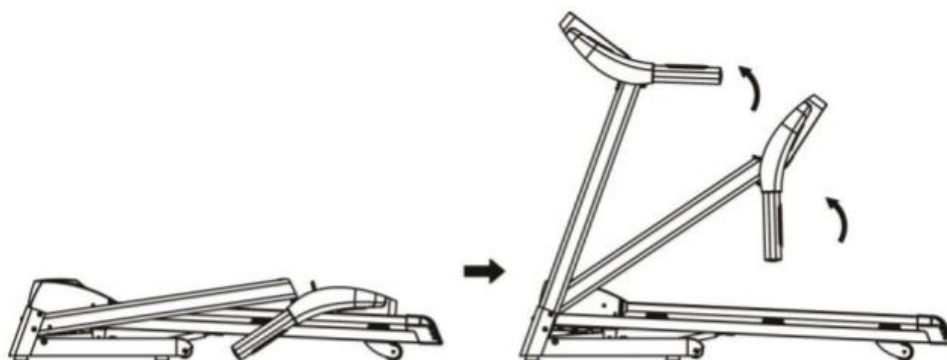
- 21.** A nem megfelelő használat (pl. túlzott edzés, hirtelen mozdulatok bemelegítés nélkül, helytelen beállítások) károsíthatja az egészségét. Az **edzés megkezdése előtt konzultáljon orvosával az egészségi állapotáról** (szív-, vérnyomás-, ortopédiai problémák stb.), különösen, ha az alábbi betegségek valamelyikében szenved (magas vérnyomás, cukorbetegség, légzőszervi betegségek, egyéb krónikus vagy szövődményes betegségek), ha túlsúlyos, ha dohányzik, vagy ha a felhasználó terhes vagy szoptató nő. Ha az alábbiakban felsorolt tünetek bármelyikét tapasztalja edzés közben, azonnal hagyja abba az edzést, és forduljon orvosához. Ilyen tünetek közé tartozik a mellkasi fájdalom/nyomás, szabálytalan szívverés, nagyon rövid légzés, ájulás, szédülés, hányinger.
- 22.** Gyermekek, idősek és terhes nők ne használják a gépet felügyelet nélkül vagy orvoshoz fordulás nélkül.
- 23.** A gyártó nem vállal felelősséget semmilyen sérülésért, kárért vagy meghibásodásért, amelyet a termék használata vagy a futópad nem megfelelő összeszerelése és karbantartása okoz.
- 24.** Forduljon fitneszedzőhöz a helyes edzés módszerekkel kapcsolatban.
- 25.** Edzéskor kényelmes sportruházat és puha talpú sportcipő viselése ajánlott. A ruhák ne legyenek túl bőek, hogy ne akadjon el a gépben.
- 26.** Kérjük, vegye le az ékszereket (láncokat, gyűrűket stb.).
- 27.** Ne hagyja felügyelet nélkül a kezdő futókat, gyermekeket vagy háziállatokat a futópadon vagy annak közelében (különösen, ha az használatban van) az esetleges sérülések elkerülése érdekében. Ez a gép nem játék.
- 28.** Ha 20 percnél hosszabb ideig edz a futópadon, kérjük, gondoskodjon arról, hogy eleget igyon.

Telepítés és alkatrészlista

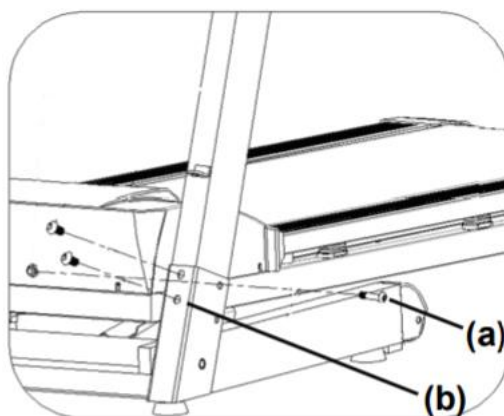
Futópad beállítása

Óvatosan vegye ki a futópadot a szállítótartályból. Győződjön meg róla, hogy nem hiányzik egyetlen alkatrész sem. A futópad összeszerelésekor ne húzza meg teljesen a csavarokat a teljes felszerelés befejezése előtt.

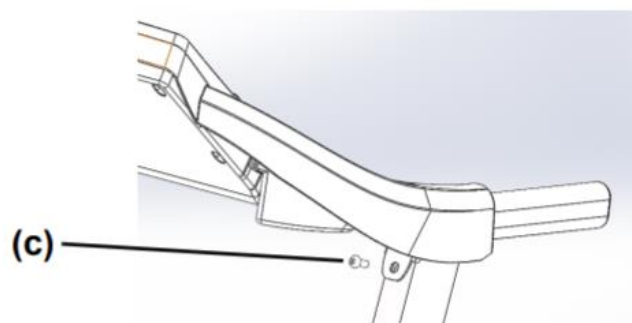
- A)** Helyezze a gépet egy sík felületre, és állítsa fel a függőleges oszlopot a vezérlőpanellel az alábbi képen látható irányba.



- B)** Használja az 5 mm-es csavarkulcsot, és rögzítse az oszlopot a szíj aljához M8*55 csavarokkal (a). Rögzítse az oszlopot M8*28-as csavarokkal (b).



- C)** Használja az 5 mm-es csavarkulcsot, és rögzítse a vezérlőpanelt az oszlophoz M8*28-as csavarokkal (c).



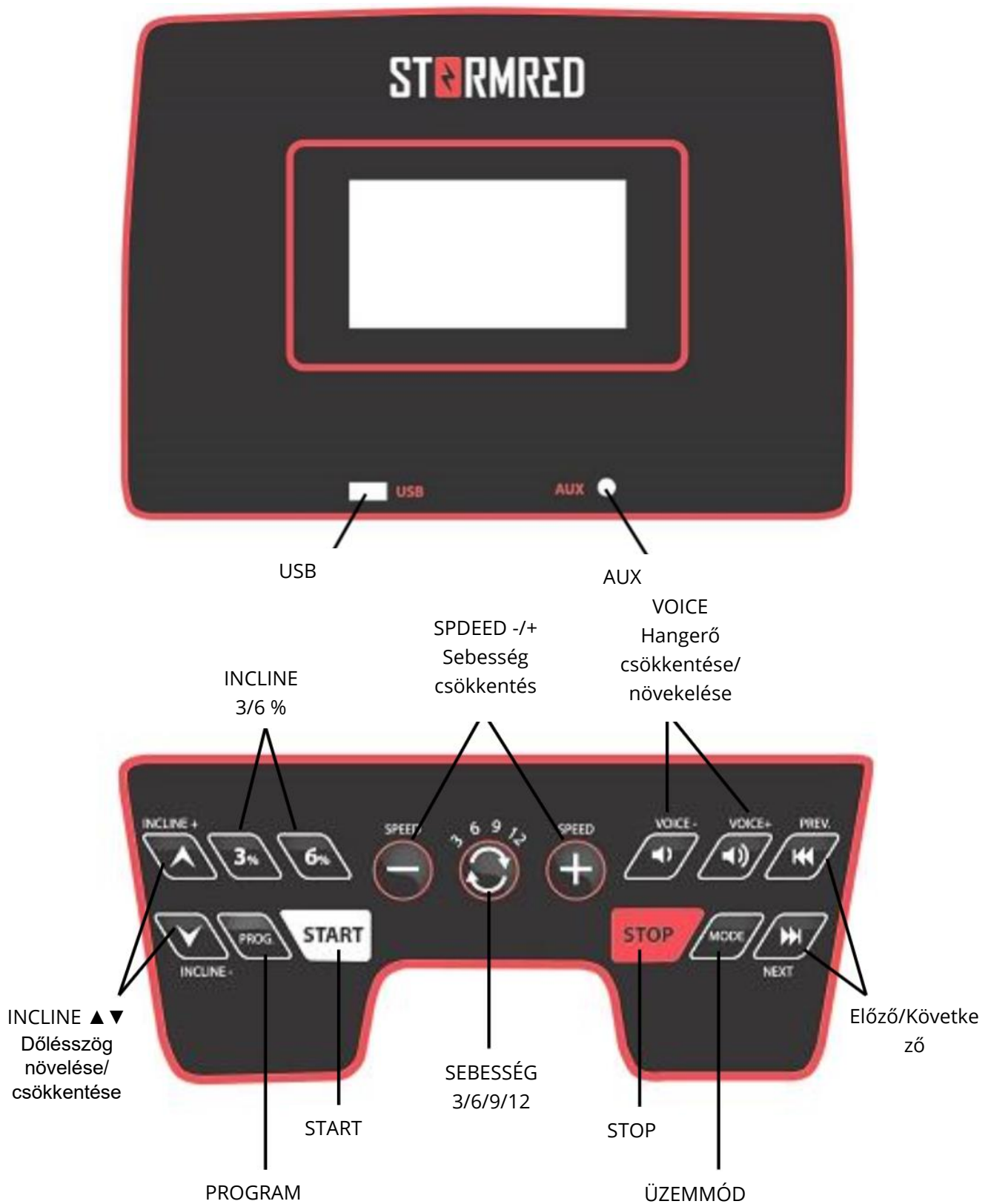
Biztonsági kulcs - a gép indításához helyezze a kulcsot a megfelelő pozícióba a kezelőpanelen.

A tartozékok listája

Sor-szám	Név	Darab-szám	Sor-szám	Név	Darab-szám
1.	6 mm-es belső hatszögműkulcs	1	5.	M8 anyák	2
2.	5 mm-es belső hatszögműkulcs	1	6.	Biztonsági kulcs	1
3.	M8*55 csavar	2	7.	Szilikon olaj	1
4.	M8*28 csavar	6	8.	MP3 kábel	1

Használat és működés

1. Vezérlőpanel és funkciók



(1) "START/STOP"

Ha készen áll a futópád elindítására, nyomja meg a "START" gombot, és az öv 1,0 km/h sebességgel elindul. Nyomja meg a "STOP" gombot az öv mozgásának leállításához. Ha az öv mozog és 3,5 km/h-nál nagyobb sebességgel halad, nyomja meg ezt a gombot, és az öv lassítani kezd, amíg teljesen meg nem áll. A lassítás alatt a többi gomb nem reagál. Ha az öv 3 km/h-nál kisebb sebességgel mozog, nyomja meg ezt a gombot, és azonnal megáll. A futópád egy rövid visszaszámlálás után elindul. A "START/STOP" gombok egyaránt megtalálhatók a bal oldali fogantyún.

(2) "INCLINE ▲ ▼"

Amikor az öv fut, nyomja meg a "▲" vagy "▼" gombot az öv dőlésszögének növeléséhez vagy csökkentéséhez a kívánt értékre.

(3) "SPEED +/-"

Amikor az öv fut, nyomja meg a "+" vagy "-" gombot a sebesség növeléséhez vagy csökkentéséhez a kívánt értékre. A gombok beállítási módban is használhatók.

(4) "SPEED 3/6/9/12" (km/óra)

Amikor az öv fut, a gombok egyikének megnyomásával a sebesség automatikusan a kívánt szintre állítható ("gyorsított sebességválasztás").

(5) "INCLINE 3/6"

Amikor az öv fut, a gombok egyikének megnyomásával az öv dőlésszöge automatikusan a kívánt szintre állítható ("gyorsított dőlésszög kiválasztás").

(6) "PROG" (addig nyomja meg és tartsa lenyomva, amíg a kívánt program meg nem jelenik)

Nyomja meg a "PROG" gombot a kézi üzemmód vagy a 12 előre beállított P1-P12 program egyikének kiválasztásához.

A "FAT" gomb megnyomásával (vagy a "Program" gomb utolsó megnyomásával) a gép segít meghatározni az Ön hozzávetőleges testzsírját (Body Mass Index). Erősítse meg az üzemmód kiválasztását a "MODE" gomb megnyomásával. Ezután a "SPEED +/-" gombok segítségével adja meg a mérendő személy paramétereit (F1 - nem: férfi = 1 / nő = 2, F2 - életkor, F3 - magasság, F4 - súly), minden értéket a "MODE" gomb megnyomásával megerősítve. Közvetlenül az utolsó érték beírása és megerősítése után megjelenik az "F5 - -" üzenet, ekkor helyezze mindkét kezét a pulzusérzékelőkre. Egy pillanat múlva a kijelzőn megjelenik a mért személy testzsírjának értéke (százalékos érték).

Teszt eredménye	≤19	Alulsúlyos
	20~25	Normál súly
	25~29	Túlsúlyos
	≥30	Elhízás

(7) "MODE"

A "MODE" gombbal válassza ki a visszaszámlálási módok egyikét (idő, távolság vagy kalória). Az egyes visszaszámlálási módokat (kezdeti értékeket) a SPEED+/- gombokkal állíthatja be. Kiindulási értékek: 30 perc / 1 kilométer / 50 kcal.

Miután kiválasztotta az egyik üzemmódot, nyomja meg a "START" gombot a választás megerősítéséhez, és az öv elindul. Amikor a visszaszámlálás a kezdeti értékről nullára csökken, a futópad hangjelzést ad és lassan leáll.

(8) "VOLUME ▲ ▼"

Nyomja meg a gombokat a lejátszott zene hangerejének szabályozásához.

(9) "Previus/Next ◀ ▶"

Nyomja meg a gombokat a zenelejátszás vezérléséhez vagy a dalok közötti váltáshoz (előző/következő).

(10) "USB bemenet"

Az USB-meghajtón lévő fájlokat (zenesámokat) egyetlen (első) szinten kell tárolni, azaz nem mappákban.

(11) "Biztonsági kulcs"

Ha a kulcs nincs a megfelelő helyzetben, a futópad nem indítható el. Ha szükséges, húzza ki a kulcsot, és a futópad azonnal leáll (nagyobb sebességnél több másodpercebe is beletelhet, amíg a futópad teljesen leáll).

2. A gép első beindítása

- 1) Helyezze a dugót földelt aljzatba. Kapcsolja a főkapcsolót, amely a kereten található, "1"-es helyzetbe.
- 2) Az áramellátás bekapcsolásához helyezze be a biztonsági kulcsot a megfelelő pozícióba. Nyomja meg a "START" gombot, és hagyja az övet szabadon futni (terhelés nélkül). Ellenőrizze az öv állapotát (alacsony sebességről nagy sebességre), majd nyomja meg a "STOP" gombot.
- 3) Ha minden rendben van, elkezdheti használni a gépet.
- 4) Rögzítse a biztonsági kulcs másik végét a ruházatához, és álljon az oldalsó lépcsőfokokon.
- 5) Nyomja meg a "START" gombot, a futópad rövid visszaszámlálást végez hangjelzéssel, és a legalacsonyabb sebességgel (1,0 km/h) elindul.
- 6) Most már rögtön ráléphet az övre, és elkezdhet futni.
- 7) Az edzés biztonságos befejezéséhez először nyomja meg a "STOP" gombot. Hagyja, hogy a futópad lassan magától megálljon, majd szálljon le róla. Kapcsolja ki a főkapcsolót.

3. Szívritmus mérés

Ez a futópad a fogantyúkon lévő érzékelők segítségével képes mérni a pulzusszámot. A mért adatok csak tájékoztató jellegűek.

A pulzusszám ellenőrzéséhez helyezze mindkét kezét az érzékelőkre (fogja meg a fogantyút, ahol az érzékelők a tenyerében vannak).

4. Előre beállított programok

A programok eredeti időbeállítása 10 perc. A program indítása előtt a program teljes hossza (futási idő) a SPEED vagy INCLINE gombok megnyomásával módosítható. A hosszbeállítási tartomány 5-99 perc (min-max). A programok 10 szakaszra vannak osztva, amelyek ugyanannyi ideig tartanak. Minél rövidebbre választja a program teljes hosszát, annál rövidebbek lesznek az egyes fázisok, és fordítva. Például egy 10 perces program fázisonként 1 percet vesz igénybe, míg egy 5 perces program mindössze 30 másodpercet. Ha a program fut, a program fázisának változásakor hangjelzés hallható.

Szakaszok

Program		1	2	3	4	5	6	7	8	9	10
P1	SPEED	3	3	6	5	5	4	4	4	4	3
	INCLINE	0	3	3	3	4	4	4	1	1	0
P2	SPEED	3	3	4	4	5	5	5	6	6	4
	INCLINE	2	2	2	3	3	3	3	4	4	2
P3	SPEED	2	4	6	8	7	8	6	2	3	2
	INCLINE	3	5	4	4	3	4	4	3	4	2
P4	SPEED	3	3	5	6	7	6	5	4	3	3
	INCLINE	0	3	3	2	2	5	5	3	3	2
P5	SPEED	3	6	6	6	8	7	7	5	5	4
	INCLINE	3	5	3	4	2	3	4	2	3	2
P6	SPEED	2	6	5	4	8	7	5	3	3	2
	INCLINE	3	4	5	6	3	5	5	6	4	3
P7	SPEED	2	9	9	7	7	6	5	3	2	2
	INCLINE	0	3	3	3	4	4	4	1	1	0
P8	SPEED	2	4	4	4	5	6	8	8	6	2
	INCLINE	1	1	4	4	4	5	5	4	3	2
P9	SPEED	2	4	5	5	6	5	6	3	3	2
	INCLINE	3	5	3	4	2	3	4	2	3	2
P10	SPEED	2	5	7	5	8	6	5	2	4	3
	INCLINE	1	5	6	8	12	9	10	9	5	3
P11	SPEED	2	5	6	7	8	9	10	5	3	2
	INCLINE	3	5	6	8	6	5	8	7	5	2
P12	SPEED	2	3	5	6	8	6	9	6	5	3
	INCLINE	5	7	5	8	6	5	9	10	6	2

Karbantartás és tárolás

1. Ellenőrizze az ékszíj és a futópad beállításait.

Ha úgy tűnik, hogy a futópad csúszik, kövesse az alábbi lépéseket annak megállapításához, hogy melyik alkatrész laza és szorul meghúzásra, a futópad (felület) vagy a motoron lévő ékszíj.

- a) Kapcsolja ki a főkapcsolót, és válassza le a futópadot a tápegységről (a konnektorból). Lazítsa meg a motorburkolat oldalsó csavarjait, és húzza le a burkolatot.
- b) Kapcsolja vissza a futópadot, és állítsa be a sebességet kb. 3 km/h-ra. Álljon rá az övre, és próbálja megállítani azt úgy, hogy enyhén az öv mozgása ellen lép.
- c) Ha az öv (felület) az első görgővel együtt megáll, ez azt jelenti, hogy a motor ékszóját meg kell feszíteni.
- d) Ha az öv (felület) megáll, de az első görgő még mindig forog, ez azt jelenti, hogy az övet (felületet) jobban meg kell feszíteni.
- e) Ha ez az ellenőrzés és beállítás befejeződött, csavarja vissza a motorburkolatot.

2. Ékszíj beállítások

Válassza le a futópadot a tápegységről, és vegye le a motorburkolatot. Lazítsa meg a motoron lévő négy csavart, majd forgassa el a speciális állítócsavart a beállításhoz. Csavarja az óramutató járásával megegyező irányba. Ezután csavarja vissza mind a négy csavart a motoron.

Csatlakoztassa a futópadot a tápegységhez, és az előzőekhez hasonlóan ismét ellenőrizze, hogy az ékszíj kellően megfeszült-e. Ha a szíjat még mindig meg kell húzni, ismétlje meg a műveletet még egyszer.

3. Futópad/felület módosítása

A szíj végén lévő két csavart fordítsa el ugyanabba az irányba fél fordulattal, ahogy az alábbi képeken látható. Ha az öv/felület még mindig csúszik, ismétlje meg az előző lépést. Ezzel a beállítással az öv körülbelül 5-6 km/h sebességgel futhat.



Az öv megfeszítése -
csavarja az
óramutató járásával
megegyező irányban



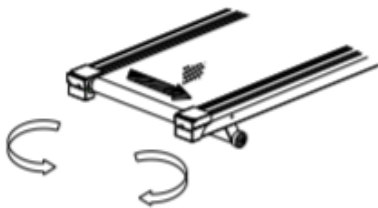
Az öv kiengedése -
csavarja az óramutató
járásával ellentétes
irányban

4. A futópad eltérésének beállítása

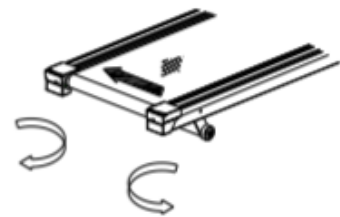
A futópad használata közben a futófelület oldalirányba kezdhet dőlni. Ebben az esetben a futópadot a következő lépések szerint kell újra középpontba állítani:

- a) Helyezze a futópadot vízszintes felületre, és állítsa be a sebességet kb. 5-6 km/h-ra.
- b) Ha az öv jobbra dől, fordítsa el az öv végén lévő jobb oldali csavart fél fordulattal az óramutató járásával megegyező irányba, a bal oldali csavart pedig fél fordulattal az óramutató járásával ellentétesen.
- c) Ha az öv balra dől, fordítsa el az öv végén lévő bal oldali csavart fél fordulattal az óramutató járásával megegyező irányba, a jobb oldali csavart pedig fél fordulattal az óramutató járásával ellentétes irányba.

Ha az öv még mindig oldalirányban kitér, ismételje meg az előző lépések egyikét.



Jobbra dőlő öv



Balra dőlő öv

5. A futópad kenése

Az öv alja vagy az öv alatti futófelület rendszeres karbantartást igényel szilikonolajjal történő kenés formájában. A futópad élettartamára nagy hatással van az öv és a lemez közötti megfelelő feszültség fenntartása.

A következőképpen járjon el:

- a) Kapcsolja ki a fő övkapcsolót, és kissé lazítsa meg az övet/öv felületét.
- b) Tiszta ruhával törölje le a port és a szennyeződések az öv és a lemez között.
- c) Egyenletesen vigyen fel egy kis mennyiségű szilikonolajat felülről az öv és a lemez közé az öv elején.
- d) Feszítse újra az övet, és indítsa el, hogy az olaj a teljes futófelületen eloszoljon.

Javasoljuk, hogy a mellékelt kenőanyagot körülbelül az első 40 üzemóra után alkalmazza. Javasoljuk továbbá a platform kenését az alábbi ütemterv szerint:

- mérsékelt használat esetén (heti 3 óránál kevesebb), 5 havonta kenje be a készüléket.
- mérsékelt használat esetén (heti 4-7 óra) 2 havonta kenje be a készüléket.
- gyakori használat esetén (heti 7 óránál több) 14 naponként kenje be.

A maximális teljesítmény fenntartása érdekében rendszeresen kenje be az első és a hátsó görgőket is.

A rendszeres karbantartás meghosszabbítja a gép élettartamát, és megelőzheti a sérüléseket.

6. Tisztítás

Tisztítás előtt győződjön meg róla, hogy a futópad le van választva a hálózatról.

Rendszeresen törölje le a port és a szennyeződések a futópad teljes felületéről egy puha, nedves ruhával. Tisztítás után törölje szárazra a futópadot.

A motortérből és a szomszédos alkatrészekből is folyamatosan (kb. 2 havonta) el kell távolítani a port. Csavarja le a motor műanyag burkolatát, és vagy porszívóval porszívózza ki az egész területet (**VIGYÁZZON**, hogy ne érintse meg és ne sértse meg a nyomtatott csatlakozókat és az összes elektromos alkatrészt), vagy ha nem akar porszívót használni, akkor egy puha kefével óvatosan tisztítsa le a port. Ezután tegye vissza a burkolatot a helyére.

NE FELEDJE, HOGY A TISZTÍTÁS SORÁN A FUTÓPADOT LE KELL VÁLASZTANI AZ ÁRAMFORRÁSRÓL.

7. Tárolás

A gép hidraulikus mechanizmussal van felszerelve, amelynek köszönhetően a futópad/platform könnyen függőleges helyzetbe emelhető, így jelentős helyet takarít meg, amikor a gép nincs használatban.

A futópad dőlésszögének a kiindulási helyzetben (azaz "0") kell lennie az ilyen felszínemelés előtt. Kapcsolja ki a gépet, és húzza ki a tápkábelt. Egyszerűen emelje fel a felületet, az magától a megfelelő pozícióban tartja magát. A gép kezelése előtt győződjön meg arról, hogy a lemez valóban rögzítve van. Ne működtesse a gépet összehajtogatott állapotban.

A felület vízszintes helyzetbe való visszafordításához egyszerűen nyomja meg a lábával (a futópad felé) a futópad alján található függőleges rúd "bütykét". A felület ekkor spontán és lassan elkezd lefelé dőlni.

Tárolja a futópadot zárt térben, tiszta, száraz helyen. Védje a közvetlen napfénytől és a magas hőmérséklettől. Ne helyezzen semmilyen tárgyat a futópadra. Kerülje a magas statikus elektromossággal terhelt öv kezelését, amely zavarhatja a mérőműszerek megfelelő működését, vagy akár meg is károsíthatja azokat. Télen a futópadot megfelelő páratartalmú helyiségben tárolja és használja.



A lehetséges hibák okai és megoldásai

Sz.	Hiba	Ok	Megoldás
1	A futópadot nem lehet leengedni.	A biztonsági kulcs nincs a megfelelő helyzetben	Helyezze a biztonsági kulcsot a megfelelő pozícióba.
		A főkapcsoló ki van kapcsolva ("O" állásban).	Fordítsa a főkapcsolót az "1" állásba.
2	A kezelőpanel/ kijelző nem jelenít meg semmilyen információt.	A vezérlőpanel és a vezérlőegység ki/be van kapcsolva.	Vegye fel a kapcsolatot a szervizközponttal. (Vegye le a motorburkolatot, és csatlakoztassa vissza a panelt a készülékhez.)
3	A pulzusszám nem jelenik meg.	Az érzékelők nem elég nedvesek.	Az érzékelőket enyhén nedvesítse be vízzel.
		Az érzékelést egy másik elektromágneses mező zavarja.	Helyezze át a futópadot egy másik helyre. Kerülje az elektromágneses hullámokkal való érintkezést.
4	A dőlésbeállítás nem működik.	A motorkábel nincs megfelelően csatlakoztatva.	Vegye fel a kapcsolatot a szervizközponttal. (Vegye le a motorburkolatot, és csatlakoztassa a kábelt megfelelően.)
5	Az öv/felület megcsúszik.	Az öv nincs eléggé meghúzva.	Húzza meg az övet.
6	Az öv/felület oldalirányban elhajlik.	Az öv nincs beállítva.	Állítsa be az öv eltérését.

Ha a fenti megoldásokkal sem sikerül kijavítani a hibát, kérjük, minél hamarabb vegye fel a kapcsolatot szakszervizünkkel.

Öndiagnosztika megjelenítése - hibaüzenetek a kijelzőn

Ha a futópaddal bármilyen probléma van, a hiba típusa megjelenik a kijelzőn.

Ilyen hiba esetén forduljon bizalommal szervizközpontunkhoz.

Hibakód	Hiba leírása (ok)	Hibaelhárítás
E-01	Kommunikációs hiba a vezérlőegység és a kezelőpanel/kijelző között.	<ul style="list-style-type: none">• Sérült összekötő kábel - javítás vagy csere szükséges.• A kábel vége kihúzódik a csatlakozókból - nyomja vissza határozottan a helyére.• Sérült vezérlőegység - javítás vagy csere szükséges.
E-02	Rossz kapcsolat a motor és a vezérlőegység között (nincs jel a motortól).	<ul style="list-style-type: none">• Vegye fel a kapcsolatot a szervizközponttal.• Ellenőrizze a motorkábel kábelezését.• Sérült összekötő kábel - javítás vagy csere szükséges.
E-05	Túlfeszültségvédelem - feszültségingadozás a hálózatban. A feszültség meghaladta a megjelölt 220-240 V-ot.	<ul style="list-style-type: none">• Ellenőrizze a tényleges feszültséget - kapcsolja vissza a futópaddat, amikor az eléri a normál, körülbelül 220-240 V-os szintet.• Ellenőrizze a motor és a vezérlőegység állapotát (szag stb. esetén csere vagy javítás szükséges).
E-06	Túlterhelés / a motor vagy a vezérlőegység károsodása.	Motor vagy vezérlőegység meghibásodása - javítás szükséges.
E-07	A biztonsági kulcs nincs bedugva.	Csatlakoztassa a biztonsági kulcsot a kijelző alatti mágneskerékhez.

Edzés a futópadon

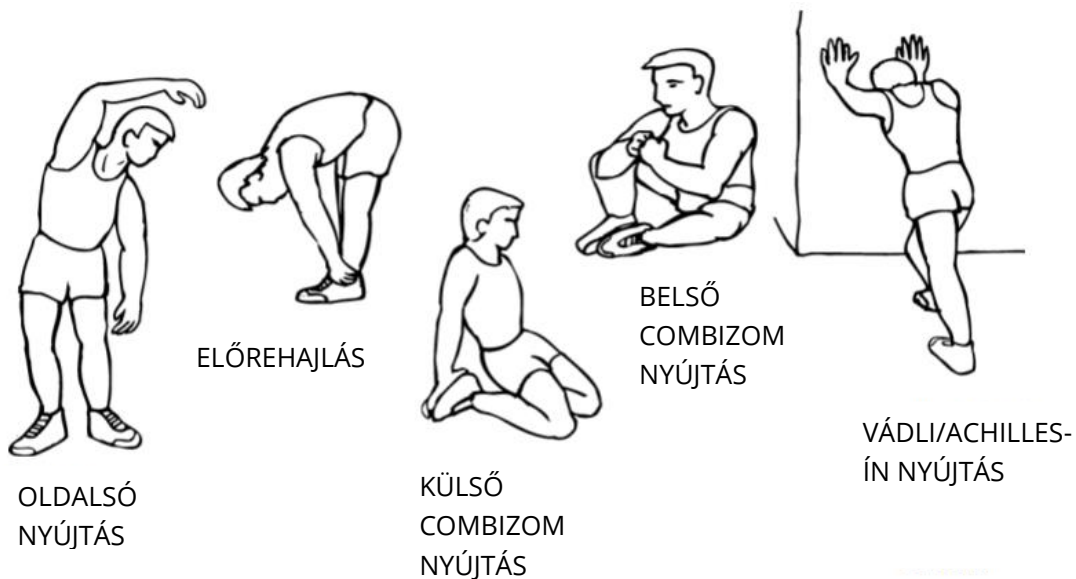
A futópad használatával javíthatja fittségét, feszesítheti izmait, és segíthet a fogyásban, miközben ellenőrzi a kalóriabevitelt.

1. Bemelegítő fázis

Minden gyakorlat előtt fontos bemelegíteni és nyújtani a megfelelő dinamikus és statikus gyakorlatokkal, hogy a testet felkészítsük a gyakorlatra. Ez nem csak a későbbi fizikai teljesítményt növeli, de ami még fontosabb, csökkenti a sérülés kockázatát az edzés során.

A bemelegítő fázis során jobban megmozgatja a vérkeringését, bemelegíti és felkészíti az izmait a megfelelő működésre. Ez csökkenti a görcsök és az izomsérülések kockázatát.

Javasoljuk, hogy végezzen néhány nyújtó gyakorlatot az alábbiak szerint. Minden egyes nyújtásnál körülbelül 20-30 másodpercig tartson ki, ne nyújtsa az izmokat éles mozdulattal, és ne nyújtsa túl őket.



2. Az edző szakasz

Ez az a szakasz, amikor a legtöbb erőfeszítést kell tennie. A rendszeres testmozgással a lábizmok erősebbé és rugalmasabbá válnak. Eddzen a saját tempójában. Kezdetben 15-20 percig, majd néhány alkalom után hosszabb ideig tartó edzés az optimális. Javasoljuk, hogy hetente legalább háromszor eddzen, lehetőleg egyenletes időbeosztásban.

3. Nyugtató fázis

Az edzés után ne felejtse el újra nyújtani, és megfelelő statikus gyakorlatokkal nyugtassa le a testét/melegedési ütemét, lazítsa el az izmait.

Ez a fázis szükséges ahhoz, hogy a szív- és érrendszer és az izmok fokozatosan ellazuljanak. Ismételje meg a nyújtógyakorlatokat, és ne feledje, hogy ne feszítse túl az izmait, és ne feszítse meg hirtelen.

4. Súlycsökkentés

A fogyás fontos tényezője a bevitt és leadott kalóriamennyiség. Minél hosszabb ideig és keményebben edz, annál többet éget el. Ugyanakkor figyelnie kell a táplálékbevitelre is, különösen a zsíros, cukros ételekre és az adagok méretére.

Jótállási feltételek

Az Alza.cz értékesítési hálózatában vásárolt új termékre 2 év garancia vonatkozik. Ha a garanciális időszak alatt javításra vagy egyéb szolgáltatásra van szüksége, forduljon közvetlenül a termék eladójához, ahol a vásárlás dátumával ellátott eredeti vásárlási bizonylatot kell bemutatnia.

Az alábbiak a jótállási feltételekkel való ellentétnek minősülnek, amelyek miatt az igényelt követelés nem ismerhető el:

- A terméknek a termék rendeltetésétől eltérő célra történő használata, vagy a termék karbantartására, üzemeltetésére és szervizelésére vonatkozó utasítások be nem tartása.
- A terméket természeti katasztrófa, illetéktelen személy beavatkozása vagy a vevő hibájából bekövetkezett mechanikai sérülés (pl. szállítás során, nem megfelelő eszközökkel történő tisztítás stb.) éri.
- A fogyóeszközök vagy alkatrészek természetes elhasználódása és öregedése a használat során (pl. akkumulátorok stb.).
- Káros külső hatásoknak való kitettség, például napfény és egyéb sugárzás vagy elektromágneses mezők, folyadék behatolása, tárgyak behatolása, hálózati túlfeszültség, elektrosztatikus kisülési feszültség (beleértve a villámlást), hibás táp- vagy bemeneti feszültség és e feszültség nem megfelelő polaritása, kémiai folyamatok, például használt tápegységek stb.

Ha valaki a termék funkcióinak megváltoztatása vagy bővítése érdekében a megvásárolt konstrukcióhoz képest módosításokat, átalakításokat, változtatásokat végzett a konstrukción vagy adaptációt végzett, vagy nem eredeti alkatrészeket használt.